



**Agastat 7000**

TE Internal #: 9-1768046-0

Snap-On, STD 17 Marker Size, Straight Cut, P Marking Details, Black, Agastat 7000, Pre-Printed Markers

[View on TE.com >](#)

Identification & Labeling > Pre-Printed Markers > STD Snap-On Markers



Marker Style: **Snap-On**

Marker Size: **STD 17**

Compatible Cable Diameter Range: **8.5 – 11.5 mm [ .335 – .452 in ]**

Marker Cut: **Straight**

Marking Details: **P**

[All STD Snap-On Markers \(958\)](#)

**Features**

**Body Features**

Marker Style	Snap-On
Marker Size	STD 17

**Dimensions**

Compatible Cable Diameter Range	8.5 – 11.5 mm [.335 – .452 in]
---------------------------------	--------------------------------

**Printer/Label Features**

Marker Cut	Straight
Marking Details	P

**Packaging Features**

Packaging Quantity	50
Packaging Method	Box

**Other**

Printed Marking Color	Black
-----------------------	-------

**Product Compliance**

[For compliance documentation, visit the product page on TE.com>](#)

EU RoHS Directive 2011/65/EU	Compliant
------------------------------	-----------



EU ELV Directive 2000/53/EC	Compliant
China RoHS 2 Directive MIIT Order No 32, 2016	No Restricted Materials Above Threshold
EU REACH Regulation (EC) No. 1907/2006	Current ECHA Candidate List: JUNE 2024 (241) Candidate List Declared Against: JUNE 2024 (241) Does not contain REACH SVHC
Halogen Content	Low Halogen - Br, Cl, F, I < 900 ppm per homogenous material. Also BFR/CFR/PVC Free
Solder Process Capability	Not applicable for solder process capability

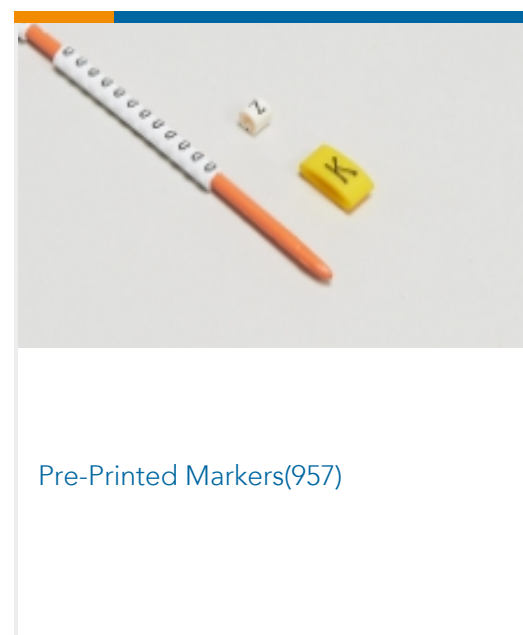
Product Compliance Disclaimer

This information is provided based on reasonable inquiry of our suppliers and represents our current actual knowledge based on the information they provided. This information is subject to change. The part numbers that TE has identified as EU RoHS compliant have a maximum concentration of 0.1% by weight in homogenous materials for lead, hexavalent chromium, mercury, PBB, PBDE, DBP, BBP, DEHP, DIBP, and 0.01% for cadmium, or qualify for an exemption to these limits as defined in the Annexes of Directive 2011/65/EU (RoHS2). Finished electrical and electronic equipment products will be CE marked as required by Directive 2011/65/EU. Components may not be CE marked. Additionally, the part numbers that TE has identified as EU ELV compliant have a maximum concentration of 0.1% by weight in homogenous materials for lead, hexavalent chromium, and mercury, and 0.01% for cadmium, or qualify for an exemption to these limits as defined in the Annexes of Directive 2000/53/EC (ELV). Regarding the REACH Regulation, the information TE provides on SVHC in articles for this part number is based on the latest European Chemicals Agency (ECHA) 'Guidance on requirements for substances in articles' posted at this URL: <https://echa.europa.eu/guidance-documents/guidance-on-reach>

## Compatible Parts



## Also in the Series | Agastat 7000





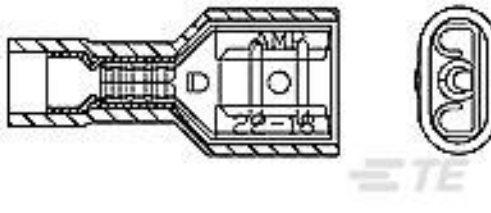
## Customers Also Bought



TE Part #3-640440-2  
02P MTA100 CONN ASSY 22AWG RED



TE Part #826632-8  
8P AMPMODU II PIN HDR.



TE Part #735279  
REC FASTON SERIES 635 PIDG



TE Part #2108792-1  
FPC Ant, MHF, 114mm, Wi-Fi 6E Triple



TE Part #8-1768045-0  
STD Snap-On Markers

## Documents

### Product Drawings

[STD17Y-P](#)

English

### Datasheets & Catalog Pages

[STD/STB-type Snap-on Pre-printed Wire & Cable Markers](#)

English

[IDENTIFICATION SELECTION GUIDE](#)

English

[STD and STB Technical Datasheet](#)

English

### Product Specifications

[RW-2538 STD and STB work instruction](#)

English