

STD12W-Z ✓ ACTIVE

Agastat 7000

TE Internal #: 928688-000

Snap-On, STD 12 Marker Size, White, Straight Cut, Z Marking

Details, Black, Polyoxymethylene, Agastat 7000, Pre-Printed Markers

[View on TE.com >](#)



Identification & Labeling > Pre-Printed Markers > STD Snap-On Markers



Marker Style: **Snap-On**

Marker Size: **STD 12**

Compatible Cable Diameter Range: **4.5 – 6 mm [.177 – .236 in]**

Primary Product Color: **White**

Marker Cut: **Straight**

[All STD Snap-On Markers \(958\)](#)

Features

Body Features

Marker Style	Snap-On
Marker Size	STD 12
Primary Product Color	White
Primary Product Material	Polyoxymethylene

Dimensions

Compatible Cable Diameter Range	4.5 – 6 mm [.177 – .236 in]
---------------------------------	-----------------------------

Printer/Label Features

Marker Cut	Straight
Marking Details	Z

Packaging Features

Packaging Quantity	325
Packaging Method	Strip

Other

Printed Marking Color	Black
-----------------------	-------

Product Compliance

[For compliance documentation, visit the product page on TE.com>](#)



EU RoHS Directive 2011/65/EU	Compliant
EU ELV Directive 2000/53/EC	Compliant
China RoHS 2 Directive MIIT Order No 32, 2016	No Restricted Materials Above Threshold
EU REACH Regulation (EC) No. 1907/2006	Current ECHA Candidate List: JUNE 2024 (241) Candidate List Declared Against: JUNE 2024 (241) Does not contain REACH SVHC
Halogen Content	Low Halogen - Br, Cl, F, I < 900 ppm per homogenous material. Also BFR/CFR/PVC Free
Solder Process Capability	Not applicable for solder process capability

Product Compliance Disclaimer

This information is provided based on reasonable inquiry of our suppliers and represents our current actual knowledge based on the information they provided. This information is subject to change. The part numbers that TE has identified as EU RoHS compliant have a maximum concentration of 0.1% by weight in homogenous materials for lead, hexavalent chromium, mercury, PBB, PBDE, DBP, BBP, DEHP, DIBP, and 0.01% for cadmium, or qualify for an exemption to these limits as defined in the Annexes of Directive 2011/65/EU (RoHS2). Finished electrical and electronic equipment products will be CE marked as required by Directive 2011/65/EU. Components may not be CE marked. Additionally, the part numbers that TE has identified as EU ELV compliant have a maximum concentration of 0.1% by weight in homogenous materials for lead, hexavalent chromium, and mercury, and 0.01% for cadmium, or qualify for an exemption to these limits as defined in the Annexes of Directive 2000/53/EC (ELV). Regarding the REACH Regulation, the information TE provides on SVHC in articles for this part number is based on the latest European Chemicals Agency (ECHA) 'Guidance on requirements for substances in articles' posted at this URL: <https://echa.europa.eu/guidance-documents/guidance-on-reach>

Compatible Parts



Also in the Series | [Agastat 7000](#)



Electromechanical Relays(73)



Pre-Printed Markers(957)

Customers Also Bought



TE Part #W4P
WEDGE LOCK, 4P, REC, GRN, DT



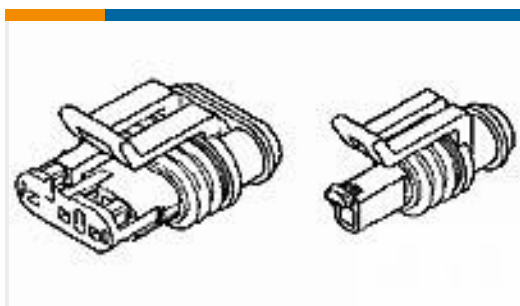
TE Part #DT04-2P
REC, 2P, GRY, N



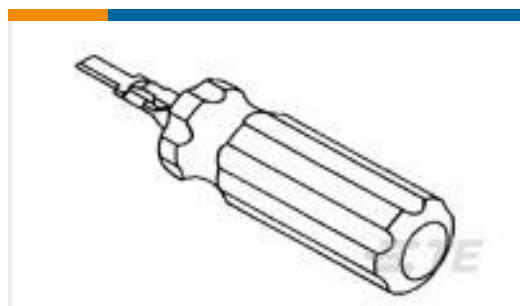
TE Part #DT06-2S
PLG, 2P, GRY, N



TE Part #0460-215-16141
DEUTSCH Solid Contacts



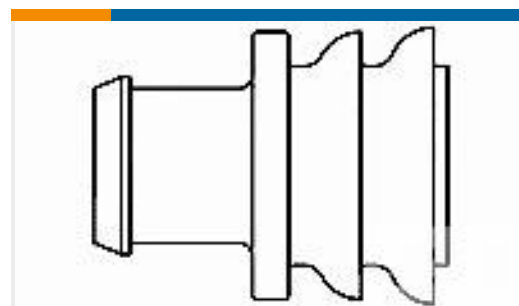
TE Part #282080-1
AMP SUPERSEAL 1.5 SERIES 2P PL



TE Part #305183
EXTRACT TOOL TYPE 2 20-16



TE Part #206070-8
CABLE CLAMP KIT #17



TE Part #281934-2
SINGLE WIRE SEAL



TE Part #114017-ZZ
SEALING PLUG, SIZE 12/16, WHT

Documents

Product Drawings

[STD12W-Z](#)

English

Datasheets & Catalog Pages

[STD/STB-type Snap-on Pre-printed Wire & Cable Markers](#)

English

[IDENTIFICATION SELECTION GUIDE](#)

English



STD and STB Technical Datasheet

English

Product Specifications

RW-2538 STD and STB work instruction

English