



**Agastat 7000**

TE Internal #: 1-1768042-5

Snap-On, STD 03 Marker Size, White, Chevron Cut, A Marking Details, Width 2.9 mm [.114 in], Black, Polyoxymethylene, Agastat 7000, Pre-Printed Markers

[View on TE.com >](#)

Identification & Labeling > Pre-Printed Markers > STD Snap-On Markers



Marker Style: **Snap-On**

Marker Size: **STD 03**

Compatible Cable Diameter Range: **1.9 – 2.65 mm [ .075 – .104 in ]**

Primary Product Color: **White**

Marker Cut: **Chevron**

[All STD Snap-On Markers \(958\)](#)

## Features

### Body Features

Marker Style	Snap-On
Marker Size	STD 03
Primary Product Color	White
Primary Product Material	Polyoxymethylene

### Dimensions

Compatible Cable Diameter Range	1.9 – 2.65 mm [.075 – .104 in]
Product Width	2.9 mm [.114 in]

### Printer/Label Features

Marker Cut	Chevron
Marking Details	A

### Packaging Features

Packaging Method	Box
------------------	-----

### Other

Printed Marking Color	Black
-----------------------	-------

## Product Compliance



[For compliance documentation, visit the product page on TE.com>](#)

EU RoHS Directive 2011/65/EU	Compliant
EU ELV Directive 2000/53/EC	Compliant
China RoHS 2 Directive MIIT Order No 32, 2016	No Restricted Materials Above Threshold
EU REACH Regulation (EC) No. 1907/2006	Current ECHA Candidate List: JUNE 2024 (241) Candidate List Declared Against: JUNE 2024 (241) Does not contain REACH SVHC
Halogen Content	Low Halogen - Br, Cl, F, I < 900 ppm per homogenous material. Also BFR/CFR/PVC Free
Solder Process Capability	Not applicable for solder process capability

Product Compliance Disclaimer

This information is provided based on reasonable inquiry of our suppliers and represents our current actual knowledge based on the information they provided. This information is subject to change. The part numbers that TE has identified as EU RoHS compliant have a maximum concentration of 0.1% by weight in homogenous materials for lead, hexavalent chromium, mercury, PBB, PBDE, DBP, BBP, DEHP, DIBP, and 0.01% for cadmium, or qualify for an exemption to these limits as defined in the Annexes of Directive 2011/65/EU (RoHS2). Finished electrical and electronic equipment products will be CE marked as required by Directive 2011/65/EU. Components may not be CE marked. Additionally, the part numbers that TE has identified as EU ELV compliant have a maximum concentration of 0.1% by weight in homogenous materials for lead, hexavalent chromium, and mercury, and 0.01% for cadmium, or qualify for an exemption to these limits as defined in the Annexes of Directive 2000/53/EC (ELV). Regarding the REACH Regulation, the information TE provides on SVHC in articles for this part number is based on the latest European Chemicals Agency (ECHA) 'Guidance on requirements for substances in articles' posted at this URL: <https://echa.europa.eu/guidance-documents/guidance-on-reach>

## Compatible Parts



TE Part # CAT-T3437-ST2999  
[STD Snap-On Markers](#)

Also in the Series | [Agastat 7000](#)



Electromechanical Relays(73)



Pre-Printed Markers(957)

## Customers Also Bought



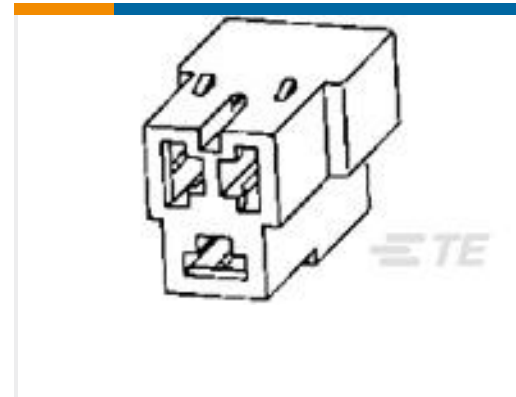
TE Part #369880-000  
STD Snap-On Markers



TE Part #926893-3  
UNIV.M-N-L.SOCKET



TE Part #350715-4  
06P UMNL PLUG HSG UL94VO



TE Part #180941  
FF 250 REC HSG 3P NYLON NAT

## Documents

### Product Drawings

[STD03W/SA](#)

English

### Datasheets & Catalog Pages

[STD and STB Technical Datasheet](#)

English

### Product Specifications

[RW-2538 STD and STB work instruction](#)

English