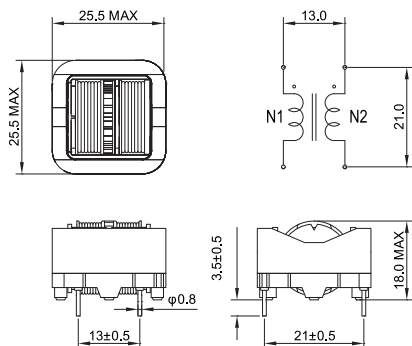


KEMET Part Number: SSRH24NH-30145
(UALS24H3014500)

KEMET, SSRH24NV/NH, AC Line Filters, Common Mode, 0.0145 H



| Dimensions | |
|------------|----------------|
| L | 25.5mm MAX |
| T | 25.5mm MAX |
| H | 18mm MAX |
| LL | 3.5mm +/-0.5mm |
| S | 13mm NOM |
| S1 | 21mm NOM |

| Packaging Specifications | |
|--------------------------|--------|
| Packaging: | Tray |
| Packaging Quantity: | 300 |
| Weight: | 22.5 g |

| General Information | |
|---------------------|---|
| Series: | SSRH24NV/NH |
| Style: | Through-Hole |
| Features: | Compact Size, Light Weight, Low Rdc, Ultra-High Impedance |
| RoHS: | Yes |
| Miscellaneous: | 65 (K) Temperature Rise Max. |

| Specifications | |
|--------------------|------------------|
| Voltage AC: | 250 VAC |
| Inductance: | 14.5 mH (10 kHz) |
| Current: | 3 A |
| Temperature Range: | -25/+120°C |
| DC Resistance: | 102 mOhms |