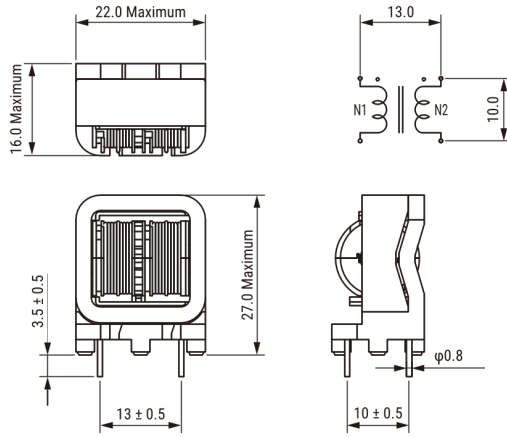


## SSR21NVS-M12220

Aliases (UALS21V1222000)

KEMET, SSR21NVS-M/NHS-M, AC Line Filters, Common Mode, 22 mH



Click [here](#) for the 3D model.

### Dimensions

L	22mm MAX
T	16mm MAX
H	27mm MAX
LL	3.5mm +/-0.5mm
S	13mm +/-0.5mm
S1	10mm +/-0.5mm
Wire Size	0.35mm

### Packaging Specifications

Packaging	Tray
Packaging Quantity	450
Typical Component Weight	14.5 g

### General Information

Series	SSR21NVS-M/NHS-M
Style	Through-Hole
Features	High Performance, High Impedance, Strong Inductance
RoHS	Yes
Miscellaneous	60 (K) Temperature Rise Max.
Core	Mn-Zn Ferrite

### Specifications

Voltage AC	250 VAC
Inductance	22 mH (10 kHz)
Current	1.2 A
Temperature Range	-40/+120°C
DC Resistance	0.35 Ohms