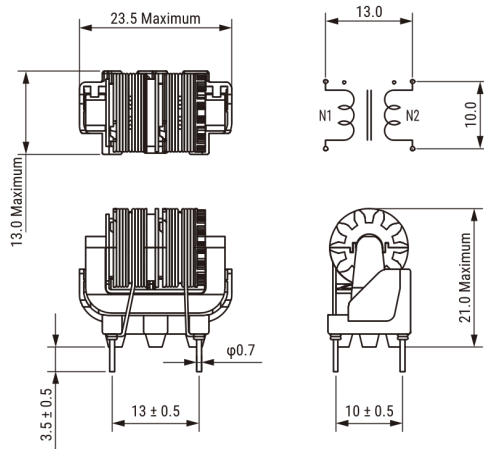


SSR10V-10170

Aliases (UALR10V1017000)

KEMET, SSR10V/H, AC Line Filters, Common Mode, 17 mH



Click [here](#) for the 3D model.

Dimensions

L	23.5mm MAX
T	13mm MAX
H	21mm MAX
LL	3.5mm +/-0.5mm
S	13mm +/-0.5mm
S1	10mm +/-0.5mm
Wire Size	0.32mm

Packaging Specifications

Packaging	Tray
Packaging Quantity	600
Typical Component Weight	9 g

General Information

Series	SSR10V/H
Style	Through-Hole
Features	Small Standard Common Mode, High Permeability, Compact Size, Low Profile, Light Weight, High Impedance, Strong Inductance
RoHS	Yes
Miscellaneous	55 (K) Temperature Rise Max.
Core	Mn-Zn Ferrite

Specifications

Voltage AC	250 VAC
Inductance	17 mH (10 kHz)
Current	1A
Temperature Range	-40/+120°C
DC Resistance	0.48 Ohms

Statements of suitability for certain applications are based on our knowledge of typical operating conditions for such applications, but are not intended to constitute - and we specifically disclaim - any warranty concerning suitability for a specific customer application or use. This information is intended for use only by customers who have the requisite experience and capability to determine the correct products for their application. Any technical advice inferred from this information or otherwise provided by us with reference to the use of our products is given gratis, and we assume no obligation or liability for the advice given or results obtained.