

Main

Range of product	Zelio Relay
Product or component type	Solid state relay
Device short name	SSL
Network number of phases	1 phase

Complementary

Mounting support	Socket
[In] rated current	2 A
Output voltage	24...280 V AC
Control circuit voltage	15...30 V DC
Contacts type and composition	1 NO
Capacitance unbalance	<= 1.5 pF input/output
Switching voltage	<= 10 V DC turn-off >= 15 V DC turn-on
Input current limits	6 mA
Input impedance	3500 Ohm
Solid state output type	SCR output Random voltage switching
Load current	0.07...2 A
Absolute maximum voltage	600 V
Surge current	<= 115 A for 20 ms <= 120 A for 16.6 ms
Voltage drop	<= 1.1 V on-state
Maximum I ² t for fusing	260 A ² .s for 8.3 ms at 60 Hz half cycle 285 A ² .s for 10 ms at 50 Hz half cycle
Leakage current	<= 4 mA off-state
DV/Dt	500 V/μs off-state at maximum voltage
Response time	0.5 cycle turn-off 0.1 ms turn-on

Overvoltage category	III
Width	5 mm
Height	28 mm
Depth	15 mm
Product weight	0.0041 kg

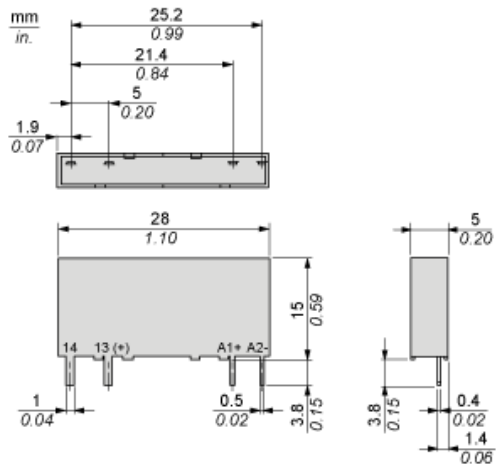
Environment

Flame retardance	V0 conforming to UL 94
Dielectric strength	2500 V for input/output
Pollution degree	2
Standards	IEC 62314 IEC 60950-1 IEC 61000
Product certifications	UL REACH CSA
Marking	CE
IP degree of protection	IP67
Ambient air temperature for operation	-20...80 °C
Ambient air temperature for storage	-20...85 °C

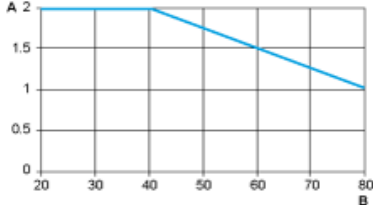
Offer Sustainability

Sustainable offer status	Green Premium product
RoHS (date code: YYWW)	Compliant - since 1328 - Schneider Electric declaration of conformity Schneider Electric declaration of conformity
REACH	Reference not containing SVHC above the threshold Reference not containing SVHC above the threshold
Product environmental profile	Available Product environmental
Product end of life instructions	Need no specific recycling operations

Dimensions



Derating Curves



A : Load Current (Amperes)
B : Ambient Temperature (°C)