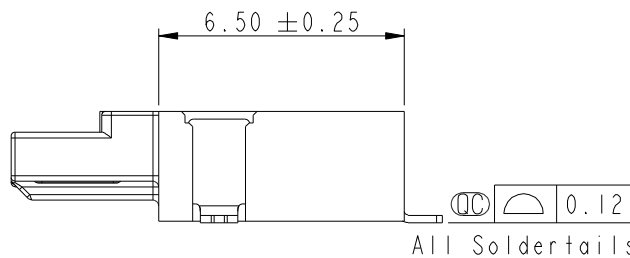
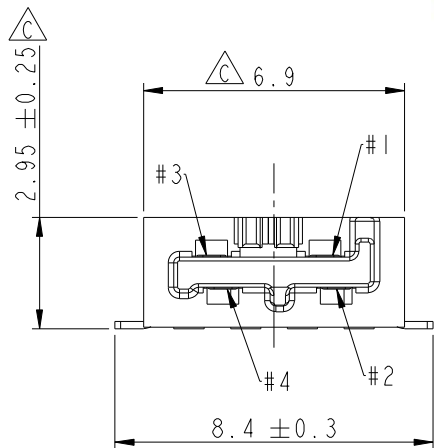
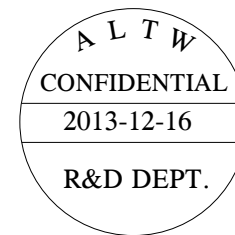
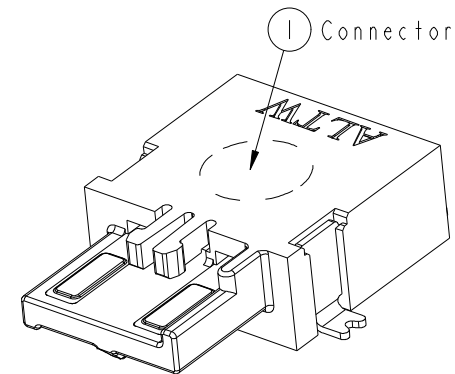
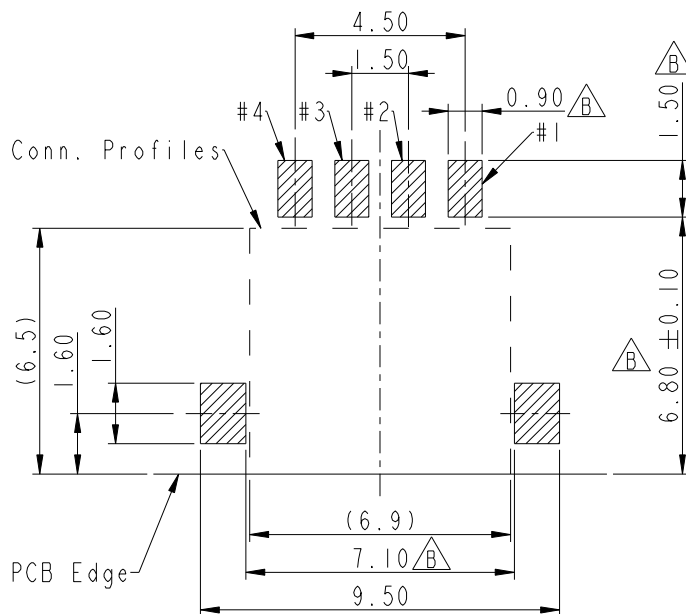
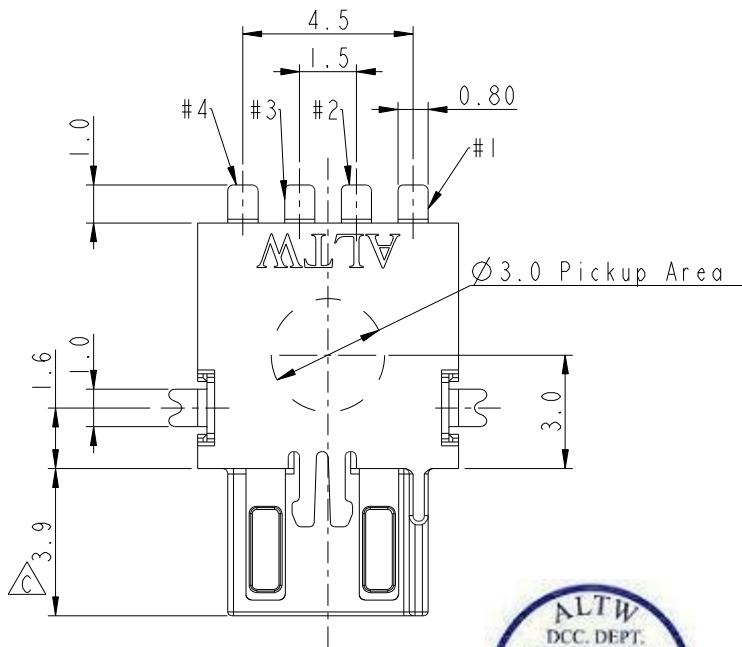


THIS DOCUMENT IS SUBJECT TO CHANGE WITHOUT NOTICE. IT IS CONFIDENTIAL AND A PROPERTY OF Amphenol LTW. DISCLOSURE TO THIRD PARTY HAS TO BE AUTHORIZED BY Amphenol LTW.

REV.	ECN NO.	DATE	SIGN	DESCRIPTION
A	Initial Release	2012-12-05	Fisher	Initial Release
B	LEN1310201	2013-02-20	Fisher	Change Plating and PCB Layout
C	LE313C0100	2013-12-16	Fisher	Change Plating and Package



Notes:

- * Ⓞ Important Dimension To Check.
- * Housing: High temperature thermoplastic. UL94V-0, color is Natural white.
- * Terminal: Copper Alloy, Gold Plated on contact area. Tin plated on solder tails.
- * Solder Peg: Copper Alloy, Tin plated over Nickel.

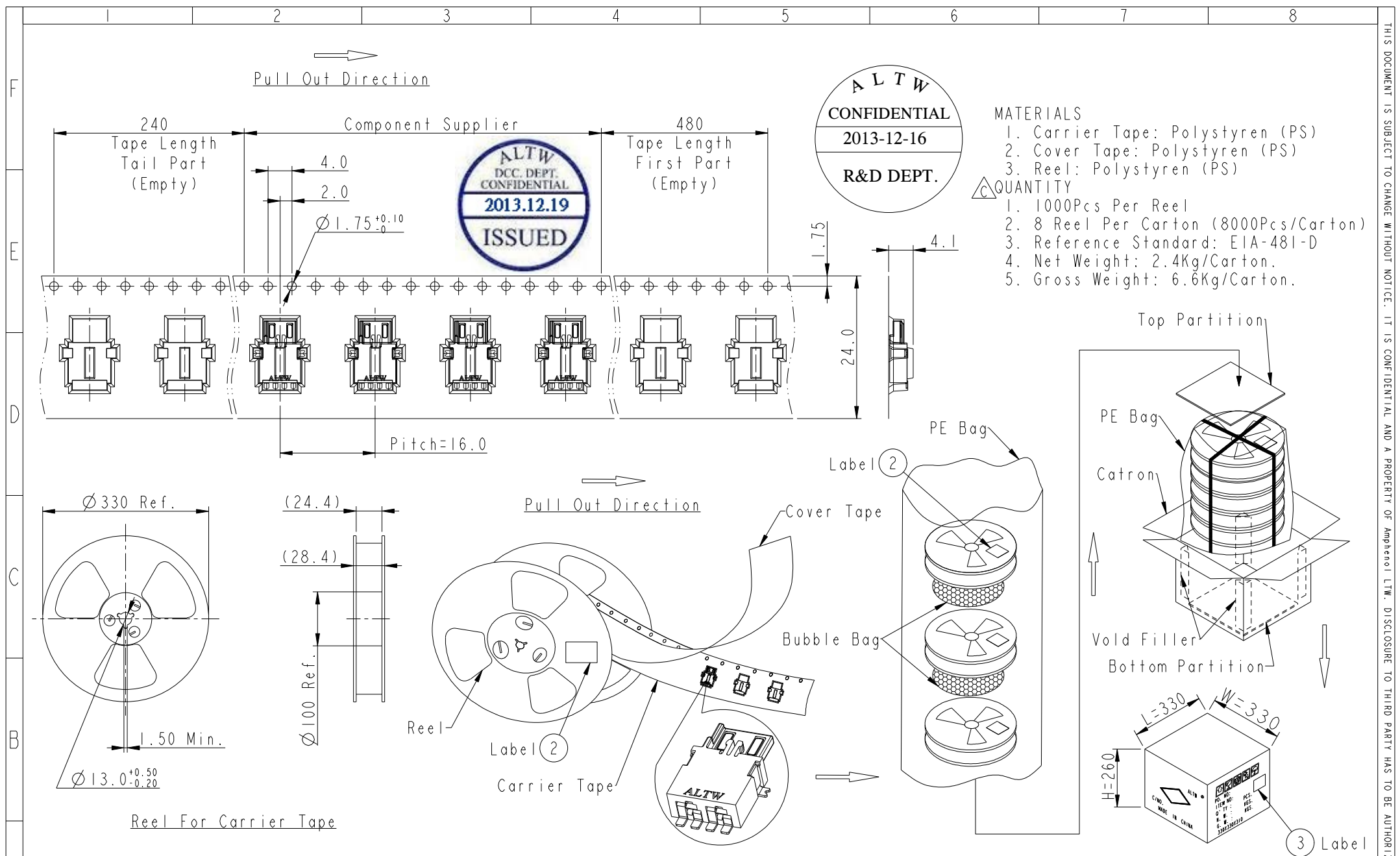
UNIT: mm	⊕	⌒
TOLERANCE	.X	±0.25
	.XX	±0.1
	.XXX	±0.05
	ANGLES	±1°

TITLE SSL-1.1 DC PLUG CONNECTOR 4-POS. W/O POST, SMT TYPE			
SCALE	6:1	SIZE	A4
		SHEET	1 OF 2
REV.	C	WC-REV.	A.2
		Ⓞ	Inspection item

Amphenol LTW
安費諾亮泰企業股份有限公司

ITEM NO.	SSL11-P4D00-000001	DRAWN BY	Fisher_Wang	DATE	2013-12-16
DWG NO.	SSL11-P4D00-000001	CHECKED BY	Ivan_Lin	DATE	2013-12-16
CUSTOMER	ALTW	APPROVED BY	Kevin_Hu	DATE	2013-12-16

THIS DOCUMENT IS SUBJECT TO CHANGE WITHOUT NOTICE. IT IS CONFIDENTIAL AND A PROPERTY OF Amphenol LTW. DISCLOSURE TO THIRD PARTY HAS TO BE AUTHORIZED BY Amphenol LTW.



A	UNIT:mm			TITLE	SSL-1.1 DC PLUG CONNECTOR 4-POS. W/O POST, SMT TYPE			ITEM NO	SSL11-P4D00-000001	DRAWN BY	Fisher_Wang	DATE	2013-12-16
	TOLERANCE .X ±0.25 .XX ±0.1 .XXX ±0.05 ANGLES ±1°	SCALE	5:1	SIZE	A4	SHEET	2 OF 2	DWG NO	SSL11-P4D00-000001	CHECKED BY	Ivan_Lin	DATE	2013-12-16
	REV.	C	WC-REV.	A.2	QC: Inspection item		CUSTOMER	ALTW	APPROVED BY	Kevin_Hu	DATE	2013-12-16	

Amphenol LTW
安費諾亮泰企業股份有限公司