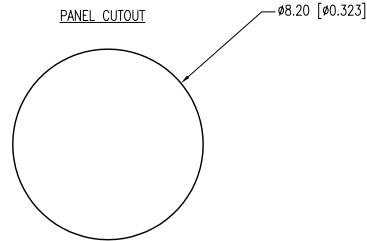
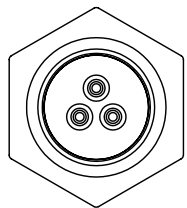
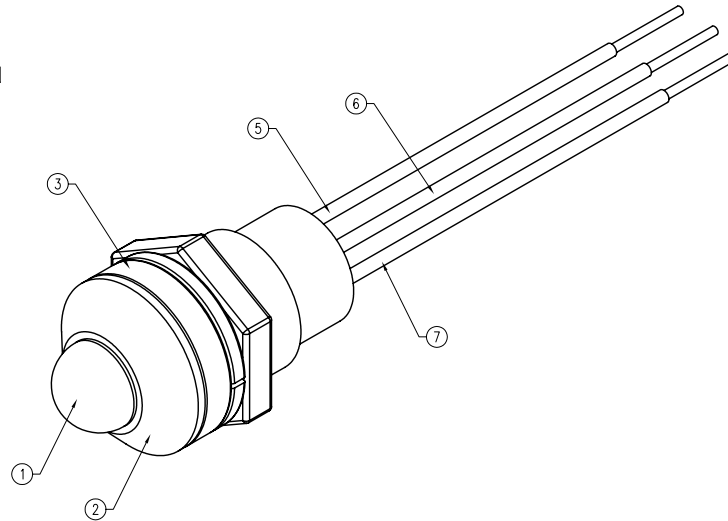
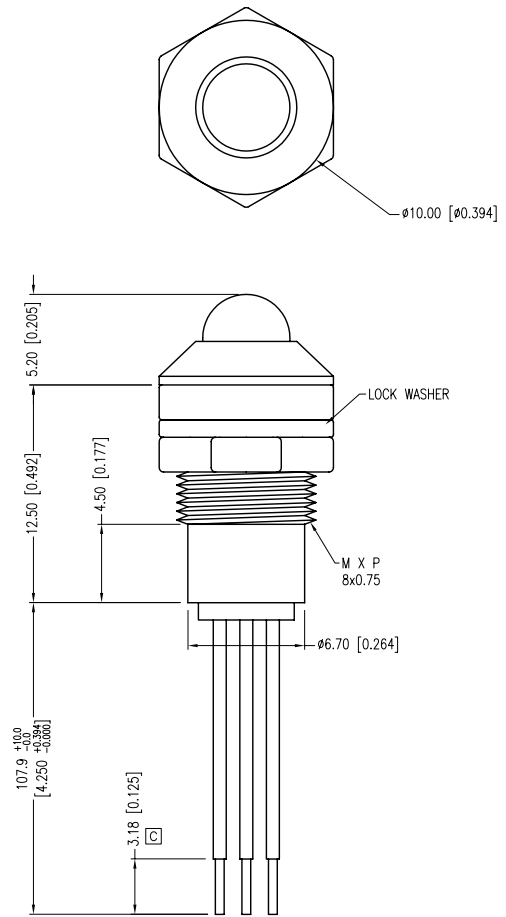


PART NUMBER	SSI-LXR3816-B27841	REV.	E
DATE	E.C.N. NUMBER AND REVISION COMMENTS		REV.
10.31.96	E.C.N. #10265 & 10276.		A
11.12.01	E.C.N. #10810. & REDRAWN IN 3D.		B
07.30.02	E.C.N. #10896.		C
12.11.06	E.C.N. #11148.		D
09.13.11	E.C.N. #10BRDR. & REDRAWN.		E



A ELECTRO-OPTICAL CHARACTERISTICS $T_a=25^{\circ}\text{C}$ $I_f=20\text{mA}$

PARAMETER	MIN	TYP	MAX	UNITS	TEST COND
PEAK WAVELENGTH (R/G)		635/565		nm	
FORWARD VOLTAGE (R/G)		2.0/2.2	2.5/2.6	V _f	
REVERSE VOLTAGE	5.0			V _r	I _r =100 μ A
AXIAL INTENSITY		25		mcd	I _f =20mA
VIEWING ANGLE		60		2x theta	
EMITTED COLOR:	RED/GREEN				
EPOXY LENS FINISH:	MILKY WHITE				

LIMITS OF SAFE OPERATION AT 25°C

PARAMETER	MAX	UNITS
PEAK FORWARD CURRENT*	150	mA
STEADY CURRENT (R/G)	30/25	mA
POWER DISSIPATION	105	mW
DERATE FROM 25°C	-1.2	mW/°C
OPERATING TEMP.	-40 TO +85	°C
STORAGE TEMP.	-40 TO +85	°C
SOLDERING TEMP.	+260	°C
2.0mm FROM BODY	3	SEC. MAX.

* I<10 μ S

- C A** NOTES:
- SSL-LX5099IGW-CA, RED/GREEN LED, CUT LEADS TO 7mm.
 - SSI-LXR3816-B, BLACK ANODIZED HOUSING.
 - LXP-WA-3816, RUBBER GASKET.
 - SSH-LXH4815BSG-3, BLACK NYLON BUSHING.
 - RED CATHODE: LXP-WST24RDT0C, 24 AWG., TINNED OVERCOAT WIRE, RED INSULATION, CUT 114mm LONG, STRIP 4.0mm & 3.18mm.
 - COMMON ANODE: LXP-WST24BLT0C, 24 AWG., TINNED OVERCOAT WIRE, BLACK INSULATION, CUT 114mm LONG, STRIP 4.0mm & 3.18mm.
 - GREEN CATHODE: LXP-WST24GRTOC, 24 AWG., TINNED OVERCOAT WIRE, GREEN INSULATION, CUT 114mm LONG, STRIP 4.0mm & 3.18mm.
 - ASSEMBLE IN ORDER; LED, SILICON, THEN BUSHING.
 - SPLASH RESISTANT PER NEMA SPEC. 250 SECT.6.7.

*UNLESS OTHERWISE SPECIFIED TOLERANCES PER DECIMAL PRECISION ARE: X=±1 (±0.039), X.X=±0.5 (±0.020), X.XX=±0.25 (±0.010), X.XXX=±0.127 (±0.005). LEAD SIZE=±0.05 (±0.002), LEAD LENGTH=±0.75 (±0.030). MIN= ^{+DECIMAL PRECISION} _{-0.00} MAX.= ^{+0.00} _{-DECIMAL PRECISION}

LUMEX
 Creating LED and LCD Solutions Together™

290 E. HELEN ROAD
 PALATINE, IL 60067-6976
 PHONE: +1.847.359.2790
 FAX: +1.847.359.6538
 WEB: WWW.LUMEX.COM
 MEMBER OF ITW PHOTONICS GROUP

T-5mm 635/565nm RED/GREEN LED PANEL INDICATOR, MILKY WHITE DIFFUSED, 3 LEAD, CA, 4" WIRE LEADS.

THE SPECIFICATIONS MAY CHANGE AT ANY TIME WITHOUT NOTICE DUE TO NEW MATERIALS OR PRODUCT IMPROVEMENT.

CONFIDENTIAL INFORMATION
 THE INFORMATION CONTAINED IN THIS DOCUMENT IS THE PROPERTY OF LUMEX INC. EXCEPT AS SPECIFICALLY AUTHORIZED IN WRITING BY LUMEX INC., THE HOLDER OF THIS DOCUMENT SHALL KEEP ALL INFORMATION CONTAINED HEREIN CONFIDENTIAL AND SHALL PROTECT SAME IN WHOLE OR IN PART FROM DISCLOSURE AND DISSEMINATION TO ALL THIRD PARTIES.

DATE:	09.13.11	DRAWN BY:	AB
PAGE:	1 OF 1	CHKD BY:	SS
SCALE:	NTS	APRVD BY:	JD
UNIT:	mm [INCH]		Ⓟ