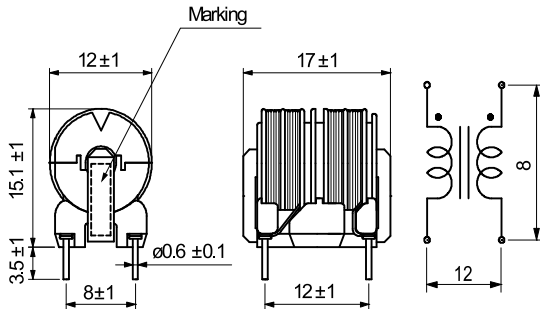


KEMET Part Number: SS17VA-R10025 Not for New Design
(UAL17VAR100250, SS17VA/HA-R10025)

KEMET
a YAGEO company

KEMET, SS17VA/HA, AC Line Filters, Common Mode, 2.5 mH



Dimensions

L	17mm +/-1mm
T	12mm +/-1mm
H	15.1mm +/-1mm
LL	3.5mm +/-1mm
S	12mm +/-1mm
S1	8mm +/-1mm

Packaging Specifications

Weight: 6 g

General Information

Series:	SS17VA/HA
Style:	Through-Hole
RoHS:	Yes
Miscellaneous:	Inductance Measurement Condition: 1kHz 1V KC530 or equivalent

Specifications

Voltage AC:	250 VAC
Inductance:	2.5 mH
Current:	1 A
Temperature Range:	-25/+120°C
DC Resistance:	380 mOhms

Statements of suitability for certain applications are based on our knowledge of typical operating conditions for such applications, but are not intended to constitute - and we specifically disclaim - any warranty concerning suitability for a specific customer application or use. This Information is intended for use only by customers who have the requisite experience and capability to determine the correct products for their application. Any technical advice inferred from this Information or otherwise provided by us with reference to the use of our products is given gratis, and we assume no obligation or liability for the advice given or results obtained.

KEMET
a YAGEO company