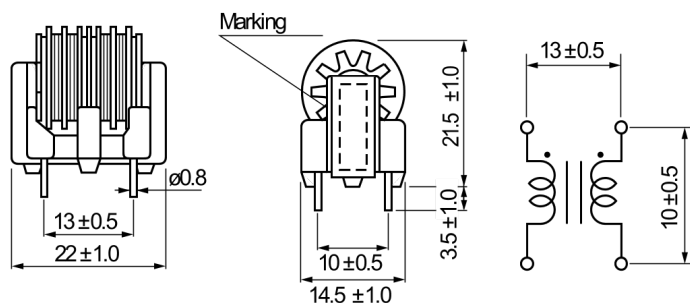


SS1V-11050-CH

Aliases (UAL11V11050CHO, SS1V/H-11050-CH)

Not for New Design

KEMET, SS1V/H-CH, AC Line Filters, Common Mode, 5 mH



General Information

Series	SS1V/H-CH
Style	Through-Hole
RoHS	Yes
Miscellaneous	Inductance Measurement Condition: 1kHz 1V KC530.

Specifications

Voltage AC	250 VAC
Inductance	5 mH
Current	1.1 A
Temperature Range	-25/+120°C
DC Resistance	0.4 Ohms

Dimensions

L	22mm +/-1mm
T	14.5mm +/-1mm
H	21.5mm +/-1mm
LL	3.5mm +/-1mm
S	13mm +/-0.5mm
S1	10mm +/-0.5mm

Packaging Specifications

Typical Component Weight	10.7 g
--------------------------	--------