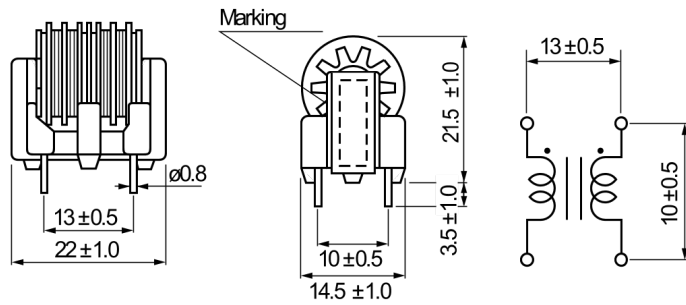


## SS1V-07120-CH

Aliases (UAL11V07120CH0, SS1V/H-07120-CH)

Not for New Design

KEMET, SS1V/H-CH, AC Line Filters, Common Mode, 12 mH



### General Information

|               |   |
|---------------|---|
| Series        | SS1V/H-CH   |
| Style         | Through-Hole  |
| RoHS          | Yes   |
| Miscellaneous | Inductance Measurement Condition: 1kHz 1V<br>KC530. |

### Specifications

|                   |            |
|-------------------|------------|
| Voltage AC        | 250 VAC    |
| Inductance        | 12 mH      |
| Current           | 700 mA     |
| Temperature Range | -25/+120°C |
| DC Resistance     | 0.9 Ohms   |

### Dimensions

|    |               |
|----|---------------|
| L  | 22mm +/-1mm   |
| T  | 14.5mm +/-1mm |
| H  | 21.5mm +/-1mm |
| LL | 3.5mm +/-1mm  |
| S  | 13mm +/-0.5mm |
| S1 | 10mm +/-0.5mm |

### Packaging Specifications

|                          |        |
|--------------------------|--------|
| Typical Component Weight | 10.8 g |
|--------------------------|--------|