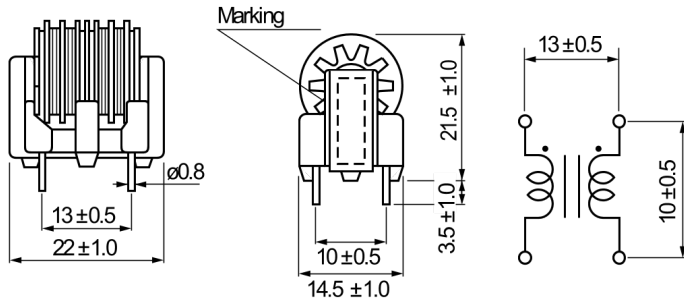


## SS11V-06180-CH

Aliases (UAL11V06180CH0, SS11V/H-06180-CH)

Not for New Design

KEMET, SS11V/H-CH, AC Line Filters, Common Mode, 18 mH



### General Information

Series	SS11V/H-CH
Style	Through-Hole
RoHS	Yes
Miscellaneous	Inductance Measurement Condition: 1kHz 1V KC530.

### Specifications

Voltage AC	250 VAC
Inductance	18 mH
Current	600 mA
Temperature Range	-25/+120°C
DC Resistance	1.3 Ohms

### Dimensions

L	22mm +/-1mm
T	14.5mm +/-1mm
H	21.5mm +/-1mm
LL	3.5mm +/-1mm
S	13mm +/-0.5mm
S1	10mm +/-0.5mm

### Packaging Specifications

Typical Component Weight	11.1 g
--------------------------	--------