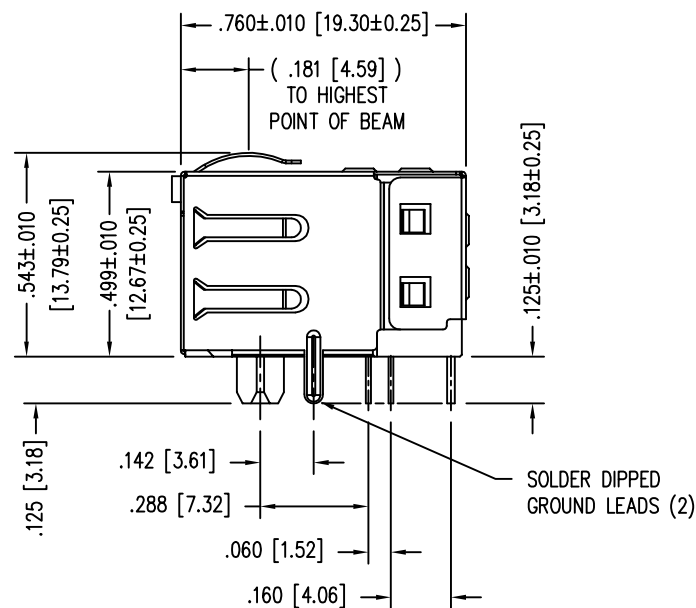
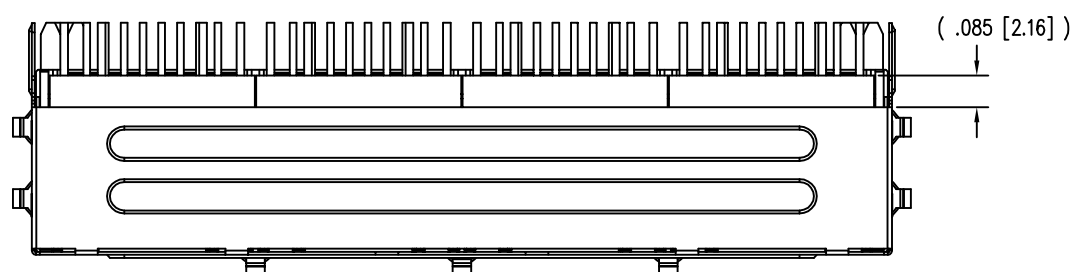
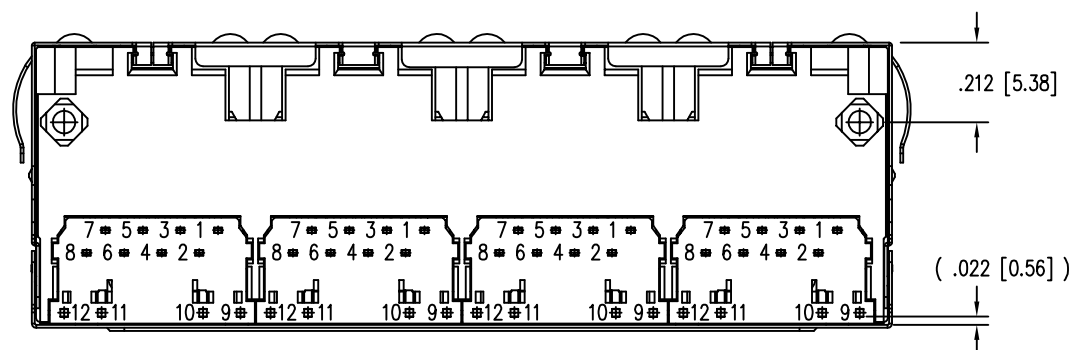
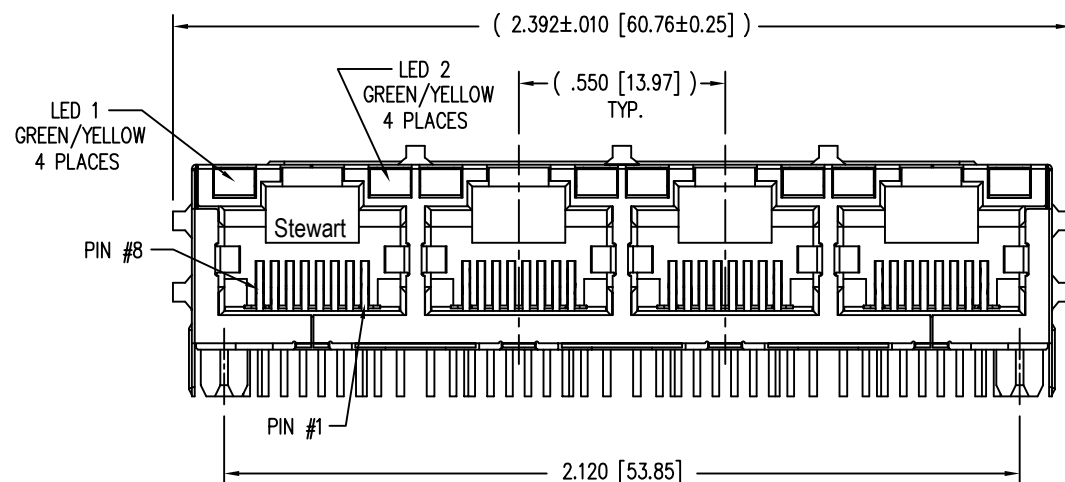
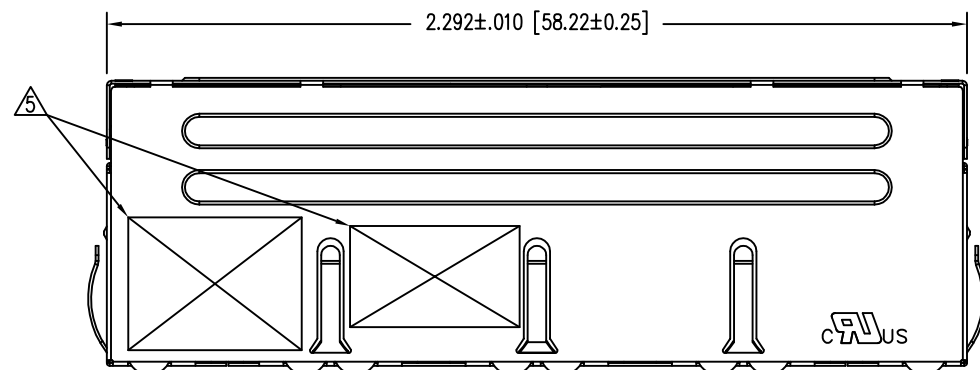


DATE	REV	ECN	APP'D. BY
3-16-16	A4	10617	TRM
12-14-16	A5	10841	TRM



NOTES:

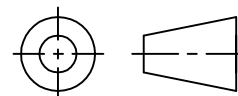
- CONNECTOR MATERIALS:
HOUSING: THERMOPLASTIC UL94 V-0
CONTACTS/SHIELD: COPPER ALLOY
SHIELD PLATING: NICKEL
CONTACT PLATING: SELECTIVE GOLD IN CONTACT AREA
SEE CHART FOR PART NUMBER
 - FOR PRODUCT SPECIFICATIONS SEE PRO22-01.
 - DIMENSIONS AND TOLERANCES COMPLY WITH TIA-1096 STANDARD.
 - THE SUGGESTED PANEL OPENING IS INTENDED TO GIVE USER THE ABILITY TO HAVE REASONABLE JACK/PANEL CLEARANCES, YET MAINTAIN GROUNDING CAPABILITY. THESE VARIABLES CAN BE ADJUSTED IN EITHER DIRECTION BUT MAY CARRY SOME CONSEQUENCES IN THE FORM OF LOWER MATING FORCES OR TIGHTER ASSEMBLY TOLERANCES.
- △ PART MARKED WITH MFG LOGO, PART NUMBER, DATE CODE AND MFG NAME.

50 MICRO-INCHES [1.27um]	SS-74800-094
CONTACT PLATING IN MATING AREA	PART NUMBER

LOW TEMP PRODUCT FOR WAVE SOLDER 220°C FOR MAX. 10 SECS.



THIRD ANGLE PROJECTION



DO NOT SCALE DRAWING
DRAWING IS SUBJECT TO CHANGE WITHOUT NOTICE

DIMENSIONS: INCHES [METRIC]

UNLESS OTHERWISE SPECIFIED TOLERANCES ARE ±.005 [0.13] ANGLES ARE ± 1°

SHEET NO. 1 OF 2



1118 Susquehanna Trail South
Glen Rock, PA 17327-9199
(717) 235-7512

http://www.stewartconnector.com

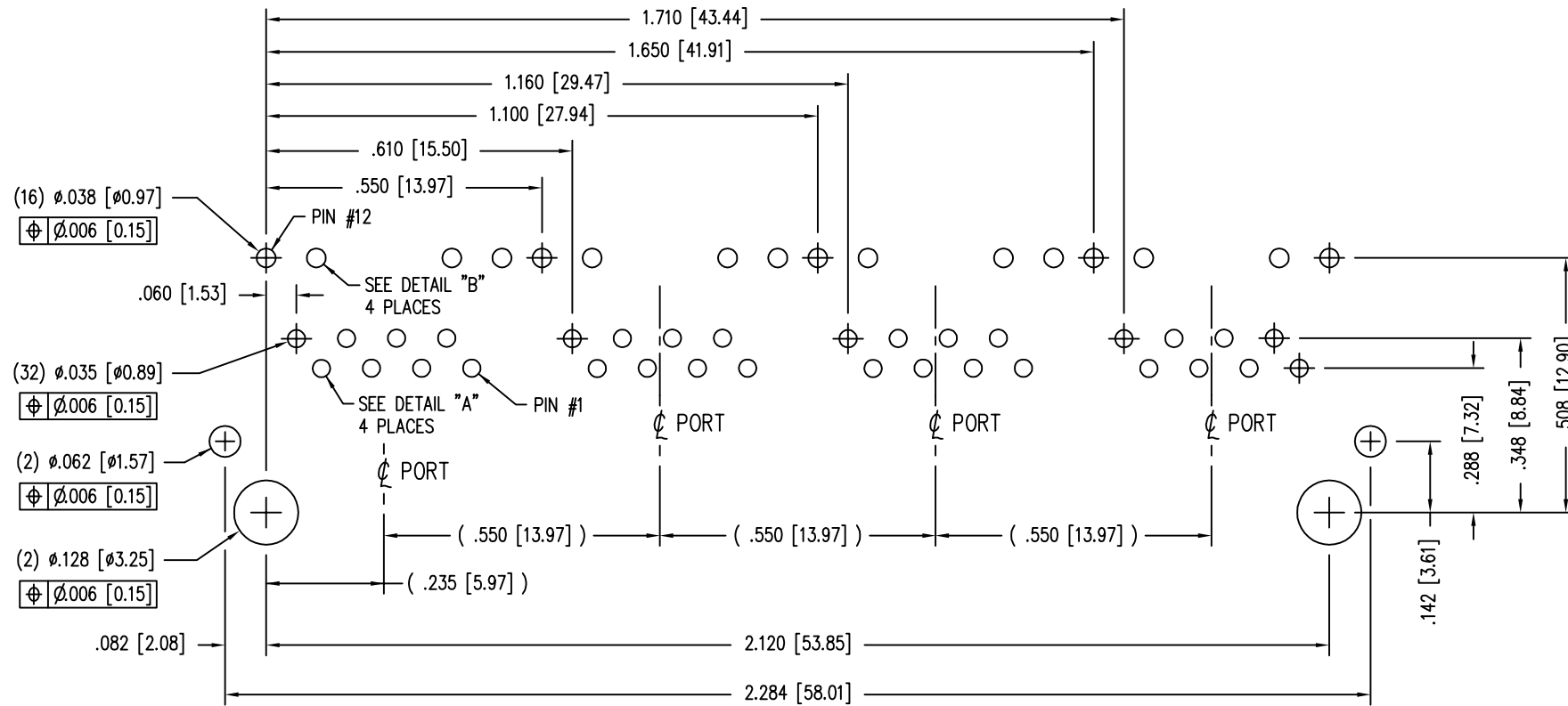
TITLE: 4 PORT, LOW PROFILE, LED, PASSIVE JACK

THIS DRAWING AND THE SUBJECT MATTER SHOWN THEREON ARE CONFIDENTIAL AND THE PROPRIETARY PROPERTY OF STEWART CONNECTOR AND SHALL NOT BE REPRODUCED, COPIED, OR USED IN ANY MANNER WITHOUT PRIOR WRITTEN CONSENT OF STEWART CONNECTOR. ONE OR MORE U.S. PATENTS MAY APPLY TO THIS PRODUCT. FOR DETAILS, PLEASE VISIT: [HTTP://BELFUSE.COM/STEWART/STEWART_PATENTS/](http://BELFUSE.COM/STEWART/STEWART_PATENTS/)

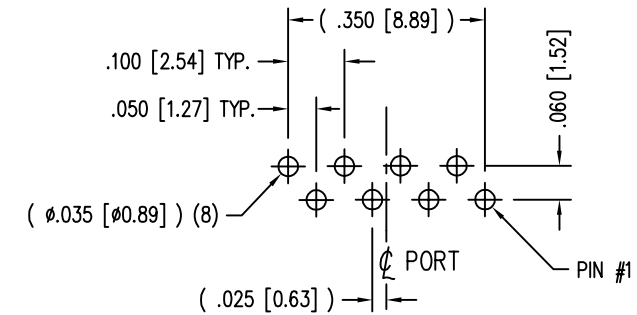
DRN BY: TRM DATE 6-24-09

APPD BY: DHG DATE 6-24-09

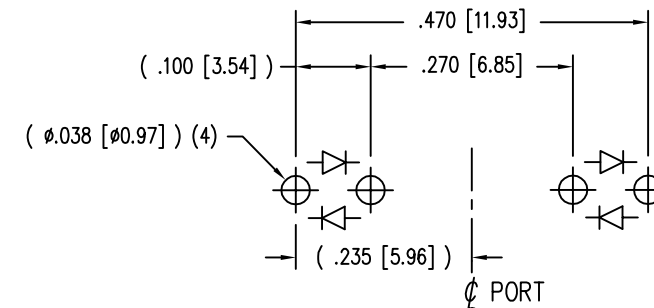
DWG NO. CT740186 REV. A5



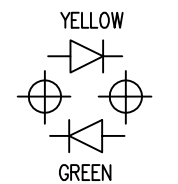
P.C.B. RECOMMENDED HOLE LAYOUT
SEEN FROM COMPONENT SIDE
ALL CENTERLINE DIMENSIONS ARE BASIC.



DETAIL "A"
TYPICAL HOLE LAYOUT



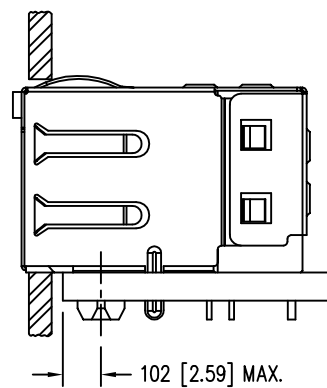
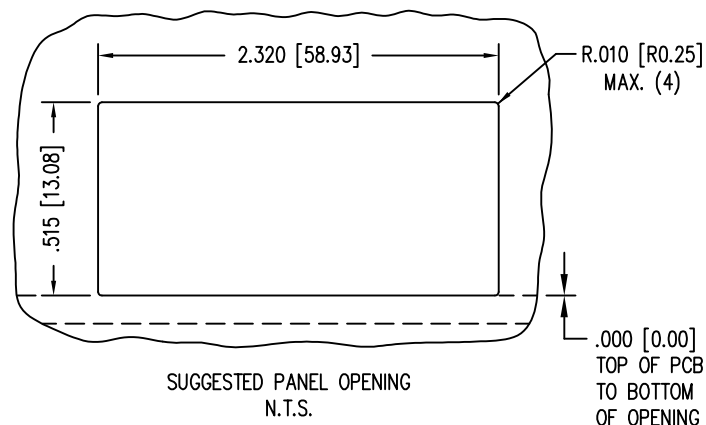
DETAIL "B"
TYPICAL LED HOLE LAYOUT



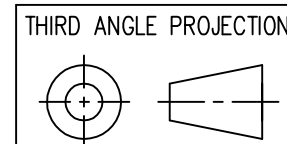
LED POLARITY
(ENLARGED VIEW)

LED SPECIFICATION				
BI-COLOR LED		WAVELENGTH	FORWARD V (MAX)	* (TYP)
GREEN/YELLOW	GREEN	565 nm	2.5 V	2.2 V
	YELLOW	590 nm	2.5 V	2.1 V

*WITH A FORWARD CURRENT OF 20 mA (TYP)



LOW TEMP PRODUCT
FOR WAVE SOLDER
220°C FOR MAX. 10 SECS.



1118 Susquehanna Trail South
Glen Rock, PA 17327-9199
(717) 235-7512
<http://www.stewartconnector.com>

DO NOT SCALE DRAWING
DRAWING IS SUBJECT TO
CHANGE WITHOUT NOTICE

TITLE: 4 PORT, LOW PROFILE, LED, PASSIVE JACK

DIMENSIONS: INCHES [METRIC]
UNLESS OTHERWISE SPECIFIED
TOLERANCES ARE ±.005 [0.13]
ANGLES ARE ± 1°

THIS DRAWING AND THE SUBJECT MATTER SHOWN THEREON
ARE CONFIDENTIAL AND THE PROPRIETARY PROPERTY OF
STEWART CONNECTOR AND SHALL NOT BE REPRODUCED,
COPIED, OR USED IN ANY MANNER WITHOUT PRIOR WRITTEN
CONSENT OF STEWART CONNECTOR. ONE OR MORE U.S. PATENTS
MAY APPLY TO THIS PRODUCT. FOR DETAILS, PLEASE
VISIT: [HTTP://BELFUSE.COM/STEWART/STEWART_PATENTS/](http://BELFUSE.COM/STEWART/STEWART_PATENTS/)

DRN BY:	TRM	DATE	6-24-09
APPD BY:	DHG	DATE	6-24-09
DWG NO.	CT740186	REV.	A5

SHEET NO. 2 OF 2