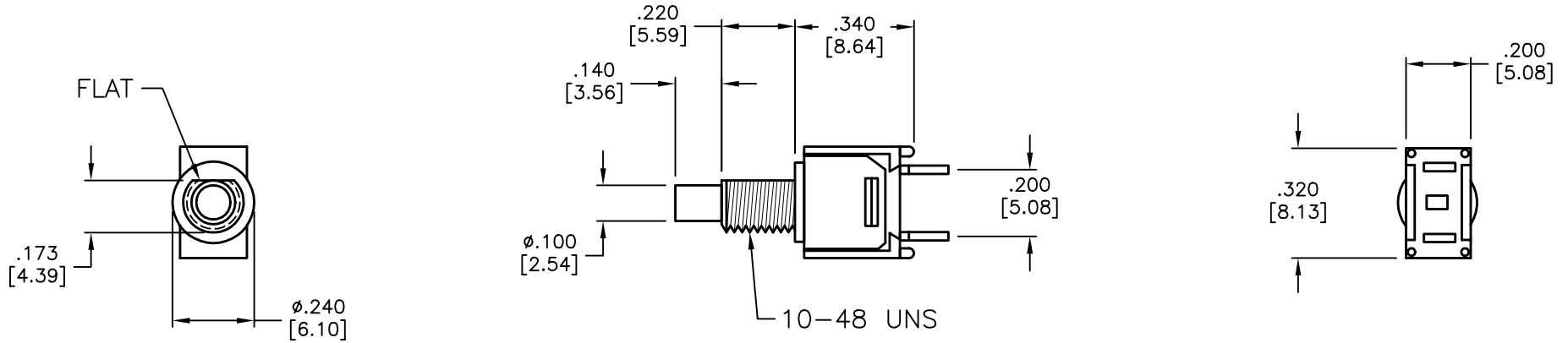


REVISIONS

DCP #	REV	DESCRIPTION	DRAWN	DATE	CHECKD	DATE	APPRVD	DATE
1501	A	Released	JWM	4/29/03	HO	4/29/03	JC	4/29/03



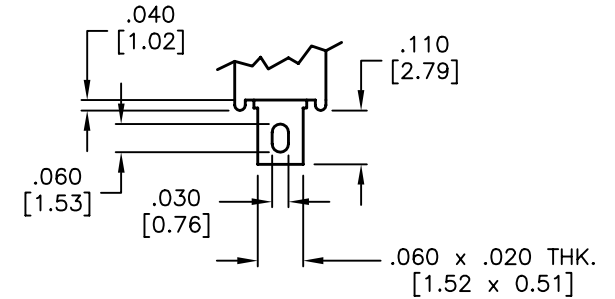
NOTES:

- Contact Rating: 3 Amps at 120 VAC or 28 VDC, 1 Amp at 250 VAC
- Contact Resistance: 20 milliohm max.
- Insulation Resistance: 1,000 Megohms min. at 500 VDC
- Dielectric Strength: 1,000 VRMS
- Operating Life: 60,000 Cycles

Materials:

- Housing: Stainless steel
- Case: Diallyl phthalate (DAP), UL94V-0
- Actuator: Thermoplastic polyester
- Contact/Terminals: Copper alloy, silver plated
- Bushing: Brass, nickel plated
- Support: Brass, tin plated
- Operating Temperature: -30°C to 85°C

Solder Lug Termination



SCHEMATIC

	SWITCHING POSITION	
	OFF	Momentary
Connected Terminals	OPEN	1-2
	SPST	

DISCLAIMER:
ALL STATEMENTS AND TECHNICAL INFORMATION CONTAINED HEREIN ARE BASED UPON INFORMATION AND/OR TESTS WE BELIEVE TO BE ACCURATE AND RELIABLE. SINCE CONDITIONS OF USE ARE BEYOND OUR CONTROL, THE USER SHALL DETERMINE THE SUITABILITY OF THE PRODUCT FOR THE INTENDED USE AND ASSUME ALL RISK AND LIABILITY WHATSOEVER IN CONNECTION THEREWITH.

TOLERANCES:
UNLESS OTHERWISE SPECIFIED, DIMENSIONS ARE FOR REFERENCE PURPOSES ONLY.

DRAWN BY:	DATE:
Jeff McVicker	4/29/03
CHECKED BY:	DATE:
Hisham Odish	4/29/03
APPROVED BY:	DATE:
John Cole	4/29/03

DRAWING TITLE: SUB-MINIATURE PUSHBUTTON SWITCH - SPST			
SIZE	DWG. NO.	ELECTRONIC FILE	REV
A	SPC5069	50N396.dwg	A
SCALE: NTS		U.O.M.: INCHES [mm]	SHEET: 1 OF 1