

**MODEL:** SP-3540 | **DESCRIPTION:** AUDIO PLUG

**FEATURES**

- 4 conductor
- octagonal cover with strain relief



**SPECIFICATIONS**

parameter	conditions/description	min	typ	max	units
rated input voltage			12		Vdc
rated input current				1	A
contact resistance	between plug and jack			50	mΩ
insulation resistance	at 500 Vdc	100			MΩ
voltage withstand	for 1 minute			250	Vac
insertion force	when mating with a standard jack	0.3		4	kgf
withdrawal force	when mating with a standard jack	0.3		4	kgf
operating temperature		-25		70	°C
operating humidity				85	%
life			5,000		cycles
flammability rating	see material table				
RoHS	yes				

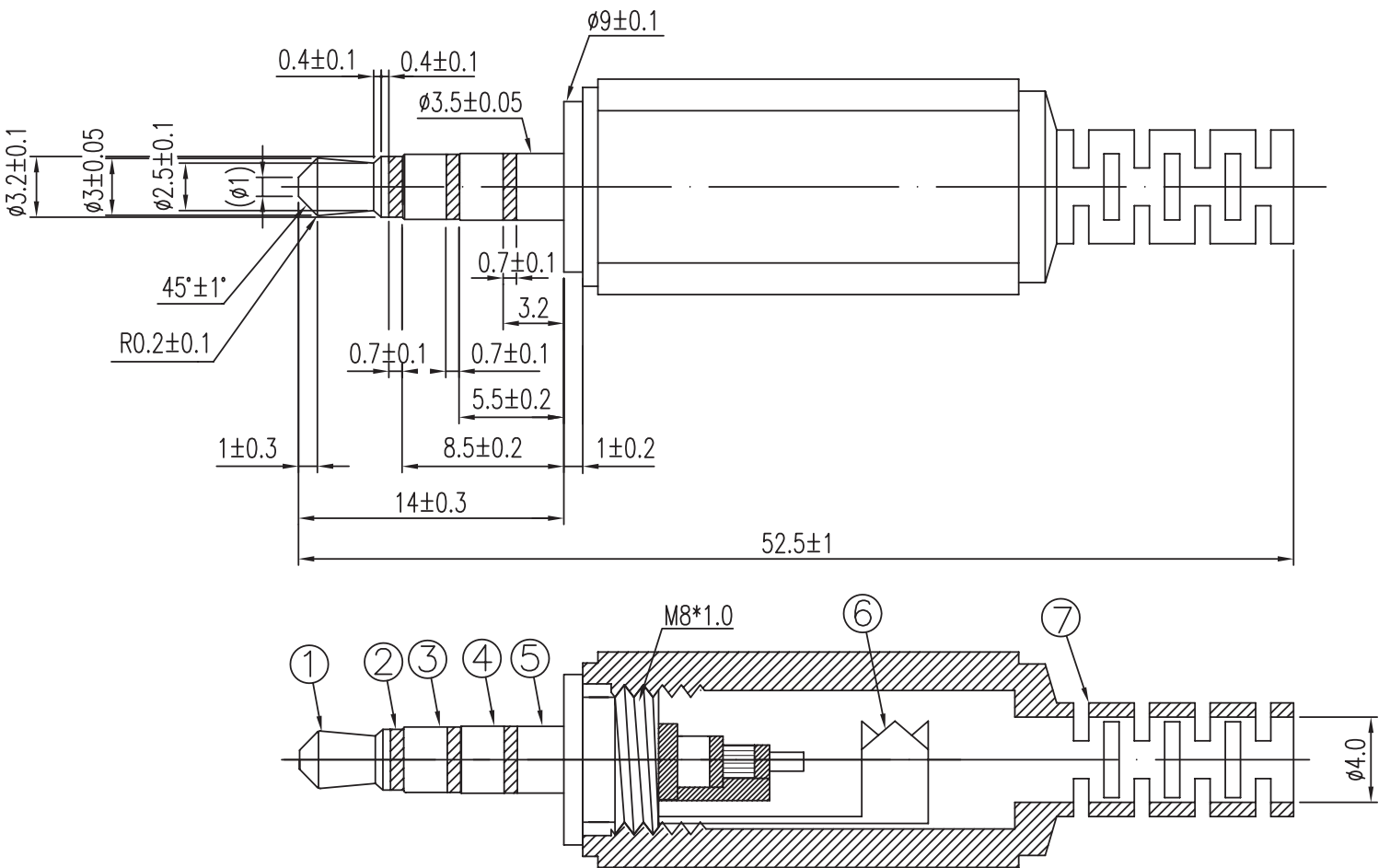
**SOLDERABILITY**

parameter	conditions/description	min	typ	max	units
hand soldering	for maximum 1 second	380	400	420	°C

## MECHANICAL DRAWING

units: mm  
 tolerance:  
 $X \leq 1.0$ :  $\pm 0.1$  mm  
 $1.0 < X \leq 6.0$ :  $\pm 0.2$  mm  
 $6.0 < X \leq 12.0$ :  $\pm 0.3$  mm  
 $12.0 < X \leq 25.0$ :  $\pm 0.4$  mm  
 $X > 25.0$ :  $\pm 0.5$  mm  
 unless otherwise noted

ITEM	DESCRIPTION	MATERIAL	PLATING/COLOR
1	tip	brass	nickel
2	insulator	POM (UL94HB)	black
3	ring 1	brass	nickel
4	ring 2	brass	nickel
5	sleeve	brass	nickel
6	crimp contact	brass	nickel
7	cover	PVC	black



## REVISION HISTORY

---

rev.	description	date
1.0	initial release	06/15/2018

The revision history provided is for informational purposes only and is believed to be accurate.



**CUI INC**<sup>®</sup>

**Headquarters**  
20050 SW 112th Ave.  
Tualatin, OR 97062  
**800.275.4899**

Fax 503.612.2383  
**cui.com**  
techsupport@cui.com

CUI offers a one (1) year limited warranty. Complete warranty information is listed on our website.

CUI reserves the right to make changes to the product at any time without notice. Information provided by CUI is believed to be accurate and reliable. However, no responsibility is assumed by CUI for its use, nor for any infringements of patents or other rights of third parties which may result from its use.

CUI products are not authorized or warranted for use as critical components in equipment that requires an extremely high level of reliability. A critical component is any component of a life support device or system whose failure to perform can be reasonably expected to cause the failure of the life support device or system, or to affect its safety or effectiveness.