



Wire Protection & Management > Interconnect Devices > SolderSleeve Shield Terminators



Operating Temperature (Max): 175 °C

Expanded Inside Diameter (Min): 2.67 mm [.105 in]

Recovered Inside Diameter (Max): .76 mm [.03 in]

Pre-Installed Lead: **Yes**

Resistance Properties: **Immersion Protection**

Features

Product Type Features

Interconnect Device Splice Type	Shield Terminator
Temperature Indicator Type	Thermochromic
Temperature Indicator	Yes

Configuration Features

Pre-Installed Lead Type	55A0813
Pre-Installed Lead	Yes

Body Features

Lead Color	White/Black
Lead Plating Material	Nickel
Lead Stranding	Stranded

Dimensions

Pre-Installed Lead Wire Size	.38 mm ²
Dielectric Outside Diameter (Max)	.75 mm[.03 in]
Shield Outside Diameter (Min)	1.4 mm[.055 in]
Compatible Jacket Diameter Range	2.65 mm[.105 in]
Product Length	16.5 mm[.65 in]
Expanded Inside Diameter (Min)	2.67 mm[.105 in]
Recovered Inside Diameter (Max)	.76 mm[.03 in]



Usage Conditions

Operating Temperature (Max)	175 °C
Resistance Properties	Immersion Protection
Wire Temperature (Max)	150 °C

Industry Standards

MIL/NAS Specification (MIL-S-83519, NAS-1747)	No
Government Qualified	No

Product Compliance

[For compliance documentation, visit the product page on TE.com>](#)

EU RoHS Directive 2011/65/EU	Compliant
EU ELV Directive 2000/53/EC	Compliant
China RoHS 2 Directive MIIT Order No 32, 2016	No Restricted Materials Above Threshold
EU REACH Regulation (EC) No. 1907/2006	Current ECHA Candidate List: JUNE 2024 (241) Candidate List Declared Against: JAN 2024 (240) Does not contain REACH SVHC
Halogen Content	Low Bromine/Chlorine - Br and Cl < 900 ppm per homogenous material. Also BFR /CFR/PVC Free
Solder Process Capability	Not applicable for solder process capability

Product Compliance Disclaimer

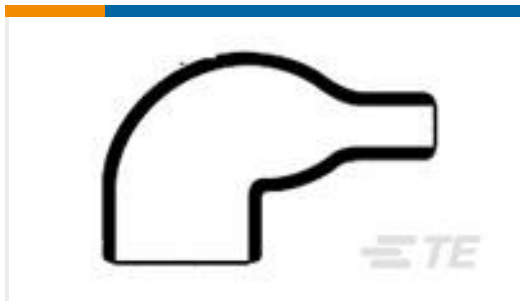
This information is provided based on reasonable inquiry of our suppliers and represents our current actual knowledge based on the information they provided. This information is subject to change. The part numbers that TE has identified as EU RoHS compliant have a maximum concentration of 0.1% by weight in homogenous materials for lead, hexavalent chromium, mercury, PBB, PBDE, DBP, BBP, DEHP, DIBP, and 0.01% for cadmium, or qualify for an exemption to these limits as defined in the Annexes of Directive 2011/65/EU (RoHS2). Finished electrical and electronic equipment products will be CE marked as required by Directive 2011/65/EU. Components may not be CE marked. Additionally, the part numbers that TE has identified as EU ELV compliant have a maximum concentration of 0.1% by weight in homogenous materials for lead, hexavalent chromium, and mercury, and 0.01% for cadmium, or qualify for an exemption to these limits as defined in the Annexes of Directive 2000/53/EC (ELV). Regarding the REACH Regulation, the information TE provides on SVHC in articles for this part number is based on the latest European Chemicals Agency (ECHA) 'Guidance on requirements for substances in articles' posted at this URL: <https://echa.europa.eu/guidance-documents/guidance-on-reach>

Compatible Parts



TE Part # EG8162-000
HL1920E-230V-EURO

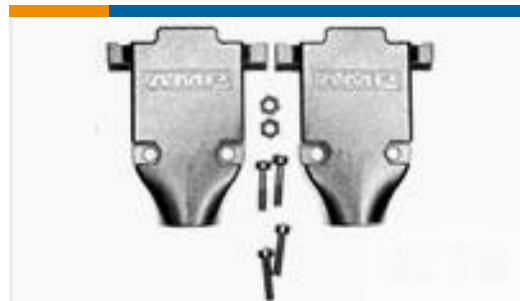
Customers Also Bought



TE Part #814716-000
222A132-3/42-0



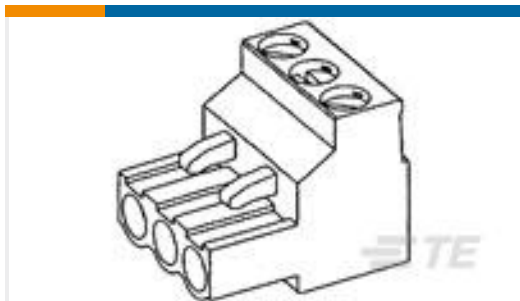
TE Part #2-1622825-5
RL73K 3A R68 5% 1K REEL



TE Part #5745174-2
CABLE CLAMP KIT,SZ 4,,575



TE Part #3-640432-2
02P MTA156 CONN ASSY 20AWG YEL



TE Part #796640-2
2 POS 5.0 MM R/A PLUG,TRM BLK



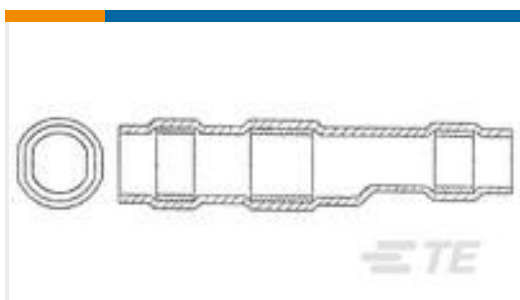
TE Part #5580574002
VPB-3/8-0-SP



TE Part #815664-000
SO96-5-55-22-90



TE Part #6766070-1
CONNECTOR, PIN, DOMINO



TE Part #315937-000
CTA-0068

Documents

Product Drawings

[SO96-2-55-22-90](#)

English

CAD Files

[3D PDF](#)

[3D](#)

[Customer View Model](#)

[ENG_CVM_CVM_236834-000_A.2d_dxf.zip](#)



English

Customer View Model

[ENG_CVM_CVM_236834-000_A.3d_igs.zip](#)

English

Customer View Model

[ENG_CVM_CVM_236834-000_A.3d_stp.zip](#)

English

By downloading the CAD file I accept and agree to the [Terms and Conditions](#) of use.

Datasheets & Catalog Pages

[1654025_Sec8_B-155_CWT_SO63_S01to03_SO96](#)

English