



RAYCHEM

TE Internal #: E74619-000

SolderSleeve Shield Terminators, 6.99 mm [.275 in] Expanded Inside, 2.54 mm [.1 in] Recovered Inside, Pre-Installed Lead, Immersion Protection

[View on TE.com >](#)

Wire Protection & Management > Interconnect Devices > SolderSleeve Shield Terminators



Operating Temperature (Max): 175 °C

Expanded Inside Diameter (Min): 6.99 mm [.275 in]

Recovered Inside Diameter (Max): 2.54 mm [.1 in]

Pre-Installed Lead: **Yes**

Resistance Properties: **Immersion Protection**

Features

Product Type Features

Interconnect Device Splice Type	Shield Terminator
Temperature Indicator Type	Fusible Ring
Temperature Indicator	Yes

Configuration Features

Pre-Installed Lead Type	55A0113
Pre-Installed Lead	Yes

Body Features

Lead Color	White/Green
Lead Plating Material	Nickel
Lead Stranding	Stranded

Dimensions

Pre-Installed Lead Wire Size	.38 mm ²
Dielectric Outside Diameter (Max)	2.5 mm[.1 in]
Shield Outside Diameter (Min)	4.3 mm[.17 in]
Compatible Jacket Diameter Range	7 mm[.276 in]
Product Length	19.1 mm[.75 in]
Expanded Inside Diameter (Min)	6.99 mm[.275 in]



Recovered Inside Diameter (Max)	2.54 mm [.1 in]
---------------------------------	-----------------

Usage Conditions

Operating Temperature (Max)	175 °C
Resistance Properties	Immersion Protection
Wire Temperature (Max)	150 °C

Industry Standards

MIL/NAS Specification (MIL-S-83519, NAS-1747)	No
Government Qualified	No

Product Compliance

[For compliance documentation, visit the product page on TE.com>](#)

EU RoHS Directive 2011/65/EU	Compliant
EU ELV Directive 2000/53/EC	Compliant
China RoHS 2 Directive MIIT Order No 32, 2016	No Restricted Materials Above Threshold
EU REACH Regulation (EC) No. 1907/2006	Current ECHA Candidate List: JUNE 2023 (235) Candidate List Declared Against: JUNE 2023 (235) Does not contain REACH SVHC
Halogen Content	Low Bromine/Chlorine - Br and Cl < 900 ppm per homogenous material. Also BFR /CFR/PVC Free
Solder Process Capability	Not applicable for solder process capability


Product Compliance Disclaimer

This information is provided based on reasonable inquiry of our suppliers and represents our current actual knowledge based on the information they provided. This information is subject to change. The part numbers that TE has identified as EU RoHS compliant have a maximum concentration of 0.1% by weight in homogenous materials for lead, hexavalent chromium, mercury, PBB, PBDE, DBP, BBP, DEHP, DIBP, and 0.01% for cadmium, or qualify for an exemption to these limits as defined in the Annexes of Directive 2011/65/EU (RoHS2). Finished electrical and electronic equipment products will be CE marked as required by Directive 2011/65/EU. Components may not be CE marked. Additionally, the part numbers that TE has identified as EU ELV compliant have a maximum concentration of 0.1% by weight in homogenous materials for lead, hexavalent chromium, and mercury, and 0.01% for cadmium, or qualify for an exemption to these limits as defined in the Annexes of Directive 2000/53/EC (ELV). Regarding the REACH Regulation, the information TE provides on SVHC in articles for this part number is based on the latest European Chemicals Agency (ECHA) 'Guidance on requirements for substances in articles' posted at this URL: <https://echa.europa.eu/guidance-documents/guidance-on-reach>

Customers Also Bought



TE Part #53410-1
PIDG Ring Tongue Terminals



TE Part #53424-1
TERMINAL, PIDG PVF2 R 12-10 8

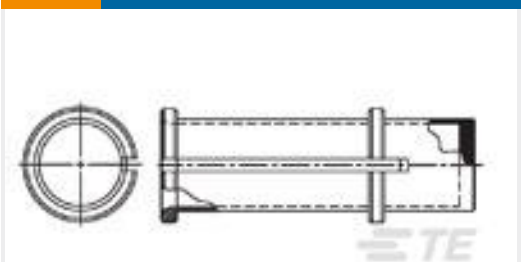
TE Part #RE04-106P
PLUG ASSY

TE Part #ABCD-80PR-090
MODULE ASSY

TE Part #ABCD-80SR-090
MODULE

TE Part #YCTJ122E01CC015000
ELEC MODULE

TE Part #CTJ920R06N-1050
RECP ASSY



TE Part #A62308-000
FLX40-030-02

TE Part #C47682N001
MTCP-122-20S2-001CS2820

Documents

Product Drawings

[SO175-5-55-22-95](#)

English

Datasheets & Catalog Pages

[1654025_Sec8_B-155_CWT_SO63_S01to03_SO96](#)

English

[Raychem Electrical Interconnect Products](#)

English

Product Specifications

[Product Specification](#)

English