

# ENGINEERING DATA SHEET

# SO-1057-8912

RELAY SOCKET  
25 AMP



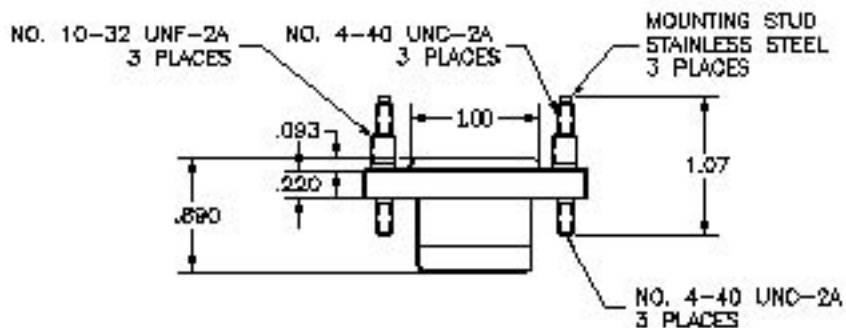
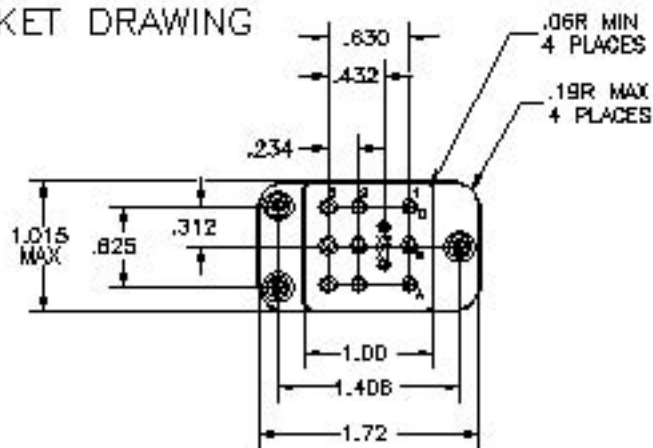
BASIC SOCKET SERIES DESIGNATION FOR:

**Series KC**

MEETS THE REQUIREMENTS OF:

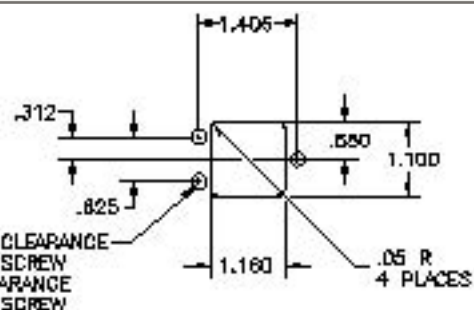
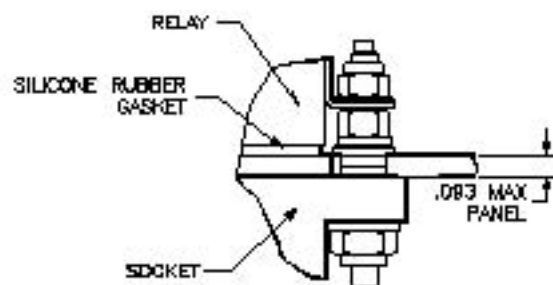
**MIL-DTL-12883**

## SOCKET DRAWING



## HARDWARE MOUNTING

MOUNTING DETAIL 3 PLACES



BOTTOM MOUNT-CLEARANCE HOLE FOR .192 SCREW  
TOP MOUNT-CLEARANCE HOLE FOR .112 SCREW

MOUNTING DIMENSIONS  
SUGGESTED MOUNTING  
HOLE LAYOUT

## GENERAL CHARACTERISTICS

1. Supplied with mounting hardware No. 12 contacts, No. 12 crimp for power terminals; No. 16 contacts, No. 16 crimp for coil terminals.

2. Standard tolerances

.xx ±.01; xxx ±.005

3. Weight

.112 lb. max

4. Temperature range

-70° C to +125° C



Featuring **LEACH**® power and control solutions  
www.esterline.com

**AMERICAS**  
6900 Orangethorpe Ave.  
P.O. Box 5032  
Buena Park, CA 90622

**EUROPE**  
2 Rue Goethe  
57430 Sarralbe  
France

**ASIA**  
Units 602-603 6/F Lakeside 1  
No.8 Science Park West Avenue  
Phase Two, Hong Kong Science Park  
Pak Shek Kok, Tai Po, N.T.  
Hong Kong

Tel: (01) 714-736-7599  
Fax: (01) 714-670-1145

Tel: (33) 3 87 97 31 01  
Fax: (33) 3 87 97 96 86

Tel: (852) 2 191 3830  
Fax: (852) 2 389 5803

Data sheets are for initial product selection and comparison. Contact Esterline Power Systems prior to choosing a component.