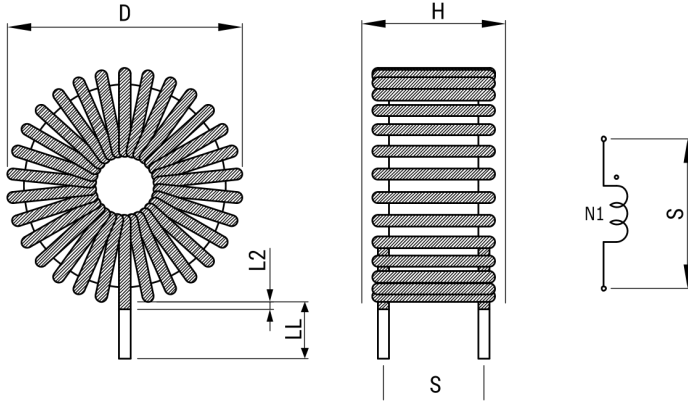


SN3-200

Aliases (UALSN320000000)

KEMET, SN, AC Line Filters, Normal Mode, 0.01 mH, MIN



Click [here](#) for the 3D model.

Dimensions	
D	8.5mm MAX
H	5.5mm MAX
LL	20mm +/-2mm
S	5mm
L2	1.5mm MAX
Wire Size	0.4mm

Packaging Specifications	
Packaging	Bulk
Packaging Quantity	6000
Typical Component Weight	800 mg

General Information	
Series	SN
Style	Through-Hole
Features	Compact Size
RoHS	Yes
Miscellaneous	15 (K) Temperature Rise Max.
Core	Fe

Specifications	
Inductance	10 uH (0.1 MHz)
Inductance Tolerance	MIN
Current	1A
Temperature Range	-40/+105°C
DC Resistance	45 mOhms

Statements of suitability for certain applications are based on our knowledge of typical operating conditions for such applications, but are not intended to constitute - and we specifically disclaim - any warranty concerning suitability for a specific customer application or use. This Information is intended for use only by customers who have the requisite experience and capability to determine the correct products for their application. Any technical advice inferred from this Information or otherwise provided by us with reference to the use of our products is given gratis, and we assume no obligation or liability for the advice given or results obtained.