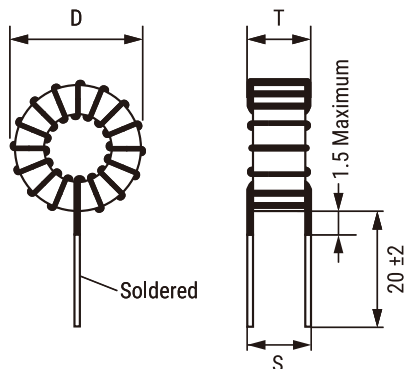


KEMET Part Number: SN16-500
(UALSN165000000)

KEMET, SN, AC Line Filters, Normal Mode, 168 uH, MIN



Dimensions	
D	35mm MAX
T	21mm MAX
LL	20mm +/-2mm
S	16.5mm NOM

Packaging Specifications	
Packaging:	Tray
Packaging Quantity:	250
Weight:	51.2 g

General Information	
Series:	SN
Style:	Through-Hole
Features:	Compact Size
RoHS:	Yes
Miscellaneous:	36 (K) Temperature Rise Max.

Specifications	
Inductance:	168 uH (0.1 MHz)
Inductance Tolerance:	MIN
Current:	8 A
Temperature Range:	-25/+105C
DC Resistance:	31 mOhms