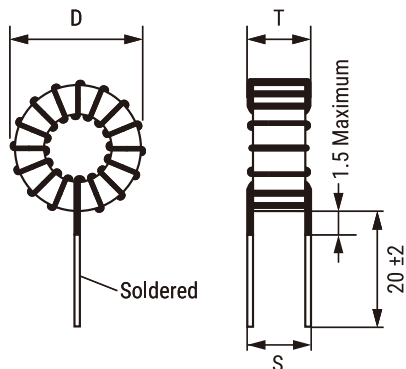


**KEMET Part Number: SN16-400**  
(UALSN164000000)

KEMET, SN, AC Line Filters, Normal Mode, 108 uH, MIN



Dimensions	
D	35mm MAX
T	19mm MAX
LL	20mm +/-2mm
S	15mm NOM

Packaging Specifications	
Packaging:	Tray
Packaging Quantity:	250
Weight:	44.4 g

General Information	
Series:	SN
Style:	Through-Hole
Features:	Compact Size
RoHS:	Yes
Miscellaneous:	24 (K) Temperature Rise Max.

Specifications	
Inductance:	108 uH (0.1 MHz)
Inductance Tolerance:	MIN
Current:	8 A
Temperature Range:	-25/+105C
DC Resistance:	27 mOhms