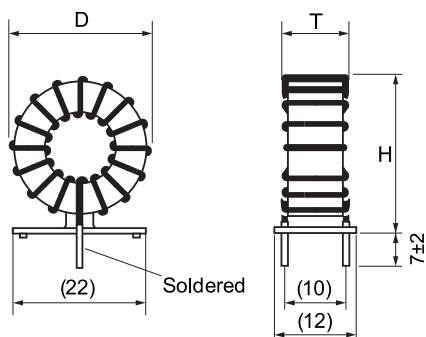


KEMET Part Number: SN12-400J
(UALSN12400J000)

KEMET, SN-J, AC Line Filters, Normal Mode, 64 uH



Dimensions	
D	28mm MAX
W	22mm NOM
T	17mm MAX
H	29mm MAX
LL	7mm +/-2mm
S	10mm NOM

Packaging Specifications	
Packaging:	Tray
Packaging Quantity:	300
Weight:	17.1 g

General Information	
Series:	SN-J
Style:	Through-Hole
RoHS:	Yes
Miscellaneous:	35 (K) Temperature Rise Max.

Specifications	
Inductance:	64 uH (0.1 MHz)
Current:	5 A
Temperature Range:	-25/+105C
DC Resistance:	37 mOhms