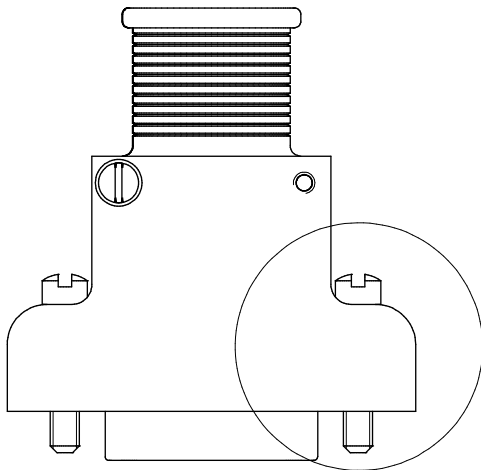
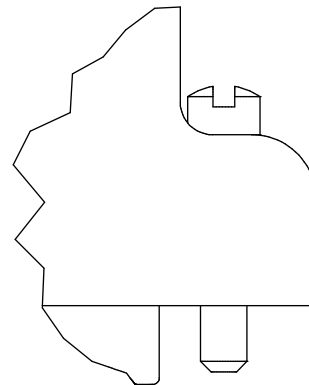
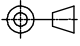



SLOTTED HEAD SCREW OPTION



SLOTTED HEAD SCREW OPTION

DRAWN DIW		DATE 30/08/2019	 3RD ANGLE PROJECTION NOT TO SCALE	PART NUMBER: SMD SERIES		 Polamco
APPROVED BY M. PAUL		30/08/2019		UNLESS OTHERWISE SPECIFIED ALL DIMENSIONS IN MILLIMETRES GENERAL TOL LINEAR +/-0.25MM ANGULAR +/- 1°	TITLE: SPLIT MICRO-MIN BACKSHELL	
CHECKED BY M. PAUL		30/08/2019	MATERIAL SEE PART NUMBER BREAKDOWN		ASSY USED ON: MIL-DTL-83513	
DOC TYPE Customer Drawing	ISSUE/REV AA	DCR 7245	FINISH SEE PART NUMBER BREAKDOWN	THIS DRAWING IS COPYRIGHT AND THE PROPERTY OF POLAMCO LTD IT MUST NOT BE COPIED, USED FOR MANUFACTURE OR OTHERWISE DISCLOSED WITHOUT PRIOR WRITTEN CONSENT OF THE COMPANY.		SHT 1
NCAGE CODE U5792		WEIGHT N/A				DRAWING NO: P10475

SMD-21-06-1-C-SL

POLAMCO SERIES _____
 SHELL SIZE (SEE TABLE 1) _____
 ENTRY SIZE (SEE TABLE 2) _____
 MATERIAL (SEE TABLE 3) _____
 FINISH (TABLE 4) _____
 SLOTTED HEAD SCREW OPTION _____
 (OMIT FOR EXTENDED KNURLED SCREW)

TABLE 1

SHELL SIZE	A	B	C	D THREAD	E	F	G	MAXIMUM ENTRY
09	23,0	9,6	14,35	2-56	16,7	27,8	4,1	05
15	26,8	9,6	18,16	2-56	18,2	29,3	4,8	07
21	30,6	9,6	21,97	2-56	19,1	30,2	5,6	09
25	33,2	9,6	24,51	2-56	20,6	31,7	6,6	11
31	37,0	9,6	28,32	2-56	21,4	32,5	7,0	14
37	40,8	9,6	32,13	2-56	23,0	34,1	7,2	16
51	39,5	10,7	30,86	2-56	24,6	35,7	8,9	15
100	58,0	13,7	45,72	4-40	26,2	37,3	12,4	16

TABLE 2

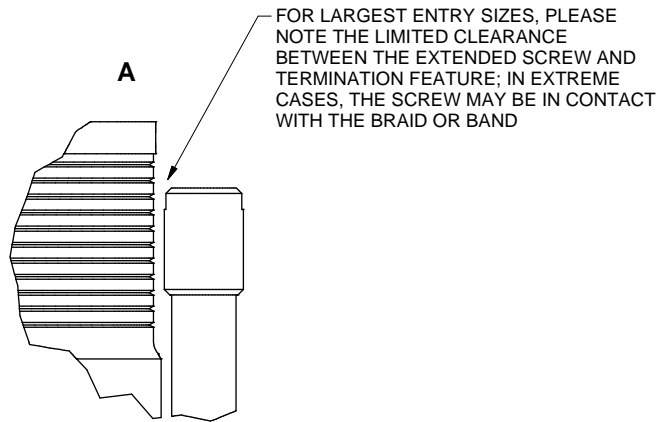
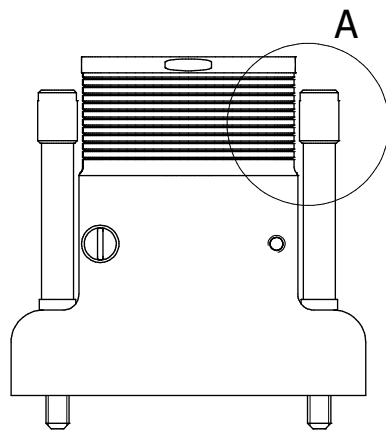
ENTRY SIZE	H
03	4,8
04	6,4
05	7,9
06	9,5
07	11,1
08	12,7
09	14,3
10	15,9
11	17,5
12	19,1
13	20,6
14	22,2
15	23,8
16	25,4

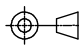

TABLE 3

CODE	MATERIAL
1	ALUMINIUM
4	STAINLESS STEEL

TABLE 4

CODE	FINISH
C	ELECTROLESS NICKEL
B	CADMIUM OLIVE DRAB OVER ELECTROLESS NICKEL
ZN	ZINC NICKEL BLACK PASSIVATE OVER ELECTROLESS NICKEL
CHP	ELECTROLESS NICKEL, HIGH PHOSPHOR
Y	YELLOW CHROMATE OVER CADMIUM
GOLD	GOLD OVER ELECTROLESS NICKEL



DRAWN DIW	DATE 30/08/2019	 3RD ANGLE PROJECTION NOT TO SCALE	PART NUMBER: SMD SERIES		 Polamco
APPROVED BY M. PAUL	30/08/2019	UNLESS OTHERWISE SPECIFIED ALL DIMENSIONS IN MILLIMETRES GENERAL TOL LINEAR +/-0,25MM ANGULAR +/- 1°	TITLE: SPLIT MICRO-MIN BACKSHELL		
CHECKED BY M. PAUL	30/08/2019		MATERIAL SEE PART NUMBER BREAKDOWN	ASSY USED ON: MIL-DTL-83513	RESTRICTED TO:
DOC TYPE Customer Drawing	DCR 7245	FINISH SEE PART NUMBER BREAKDOWN	THIS DRAWING IS COPYRIGHT AND THE PROPERTY OF POLAMCO LTD IT MUST NOT BE COPIED, USED FOR MANUFACTURE OR OTHERWISE DISCLOSED WITHOUT PRIOR WRITTEN CONSENT OF THE COMPANY.		DRAWING NO: P10475
ISSUE/REV AA	WEIGHT N/A		SHT 2		
NCAGE CODE U5792					