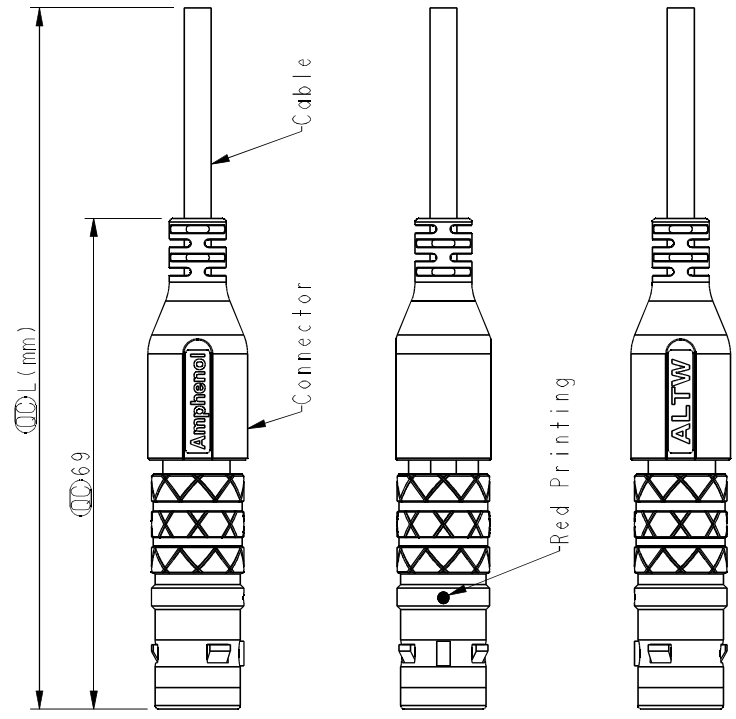


REV.	ECN NO.	DATE	SIGN	DESCRIPTION
A		2022-01-18	Allen Pan	Rev.01 To Rev.A



SLKC-XXFMM-6CP-CXX

XX: No. Of Pin  
 XX: 01~15 Meters  
 01: 01 Meter  
 02: 02 Meters  
 :  
 :  
 :  
 15: 15 Meters

Note:

- \* RoHS Compliant
- \*  $\varnothing$  Important Dimension
- \* Waterproof Rate: IPX7, Mated
- \* Connector
- Housing: Thermoplastic, Black
- Pin: Copper Alloy, Gold Plated
- Shell: Metal
- Outer Mold: Thermoplastic, Black
- \* Cable: IEC61156-12, 26#IP+AL/MY+B, OD=3.8mm, PUR Jacket, Green
- \* Cable Length Tolerance: IM: +50/-0 mm  
 1M < L ≤ 3M: +100/-0 mm  
 3M < L ≤ 5M: +150/-0 mm  
 5M < L ≤ 10M: ±100 mm  
 10M < L ≤ 15M: ±200 mm

**Amphenol LTW**  
 安費諾亮泰企業股份有限公司

TITLE	FLOS, LK-PLUS, SZ I, S02P, 0M M S/T		
SCALE	1:1	SHEET	A4
REV.	A	REV.	A.1
			$\varnothing$ : Inspection item

UNIT: mm	
TOLERANCE	±0.5mm

ITER NO	DATE
8	2022-01-18

DRAWN BY	DATE
Allen Pan	2022-01-18

CHECKED BY	DATE
Sam Ho	2022-01-18

APPROVED BY	DATE
Fred Lee	2022-01-18

ITER NO	DATE
8	2022-01-18

DRAWN BY	DATE
Allen Pan	2022-01-18

CHECKED BY	DATE
Sam Ho	2022-01-18

APPROVED BY	DATE
Fred Lee	2022-01-18

ITER NO	DATE
8	2022-01-18

DRAWN BY	DATE
Allen Pan	2022-01-18

CHECKED BY	DATE
Sam Ho	2022-01-18

APPROVED BY	DATE
Fred Lee	2022-01-18

ITER NO	DATE
8	2022-01-18

DRAWN BY	DATE
Allen Pan	2022-01-18

CHECKED BY	DATE
Sam Ho	2022-01-18

APPROVED BY	DATE
Fred Lee	2022-01-18

ITER NO	DATE
8	2022-01-18

DRAWN BY	DATE
Allen Pan	2022-01-18

CHECKED BY	DATE
Sam Ho	2022-01-18

APPROVED BY	DATE
Fred Lee	2022-01-18

ITER NO	DATE
8	2022-01-18

DRAWN BY	DATE
Allen Pan	2022-01-18

CHECKED BY	DATE
Sam Ho	2022-01-18

APPROVED BY	DATE
Fred Lee	2022-01-18

ITER NO	DATE
8	2022-01-18

DRAWN BY	DATE
Allen Pan	2022-01-18

CHECKED BY	DATE
Sam Ho	2022-01-18

APPROVED BY	DATE
Fred Lee	2022-01-18

ITER NO	DATE
8	2022-01-18

DRAWN BY	DATE
Allen Pan	2022-01-18

CHECKED BY	DATE
Sam Ho	2022-01-18

APPROVED BY	DATE
Fred Lee	2022-01-18

ITER NO	DATE
8	2022-01-18

DRAWN BY	DATE
Allen Pan	2022-01-18

CHECKED BY	DATE
Sam Ho	2022-01-18

APPROVED BY	DATE
Fred Lee	2022-01-18

ITER NO	DATE
8	2022-01-18

DRAWN BY	DATE
Allen Pan	2022-01-18

CHECKED BY	DATE
Sam Ho	2022-01-18

APPROVED BY	DATE
Fred Lee	2022-01-18

ITER NO	DATE
8	2022-01-18

DRAWN BY	DATE
Allen Pan	2022-01-18

CHECKED BY	DATE
Sam Ho	2022-01-18

APPROVED BY	DATE
Fred Lee	2022-01-18

ITER NO	DATE
8	2022-01-18

DRAWN BY	DATE
Allen Pan	2022-01-18

CHECKED BY	DATE
Sam Ho	2022-01-18

APPROVED BY	DATE
Fred Lee	2022-01-18

ITER NO	DATE
8	2022-01-18

DRAWN BY	DATE
Allen Pan	2022-01-18

CHECKED BY	DATE
Sam Ho	2022-01-18

APPROVED BY	DATE
Fred Lee	2022-01-18

ITER NO	DATE
8	2022-01-18

DRAWN BY	DATE
Allen Pan	2022-01-18

CHECKED BY	DATE
Sam Ho	2022-01-18

APPROVED BY	DATE
Fred Lee	2022-01-18

ITER NO	DATE
8	2022-01-18

DRAWN BY	DATE
Allen Pan	2022-01-18

CHECKED BY	DATE
Sam Ho	2022-01-18

APPROVED BY	DATE
Fred Lee	2022-01-18

ITER NO	DATE
8	2022-01-18

DRAWN BY	DATE
Allen Pan	2022-01-18

CHECKED BY	DATE
Sam Ho	2022-01-18

APPROVED BY	DATE
Fred Lee	2022-01-18

ITER NO	DATE
8	2022-01-18

DRAWN BY	DATE
Allen Pan	2022-01-18

CHECKED BY	DATE
Sam Ho	2022-01-18

APPROVED BY	DATE
Fred Lee	2022-01-18

ITER NO	DATE
8	2022-01-18

DRAWN BY	DATE
Allen Pan	2022-01-18

CHECKED BY	DATE
Sam Ho	2022-01-18

APPROVED BY	DATE
Fred Lee	2022-01-18

ITER NO	DATE
8	2022-01-18

DRAWN BY	DATE
Allen Pan	2022-01-18

CHECKED BY	DATE
Sam Ho	2022-01-18

APPROVED BY	DATE
Fred Lee	2022-01-18

ITER NO	DATE
8	2022-01-18

DRAWN BY	DATE
Allen Pan	2022-01-18

CHECKED BY	DATE
Sam Ho	2022-01-18

APPROVED BY	DATE
Fred Lee	2022-01-18

ITER NO	DATE
8	2022-01-18

DRAWN BY	DATE
Allen Pan	2022-01-18

CHECKED BY	DATE
Sam Ho	2022-01-18

APPROVED BY	DATE
Fred Lee	2022-01-18

ITER NO	DATE
8	2022-01-18

DRAWN BY	DATE
Allen Pan	2022-01-18

CHECKED BY	DATE
Sam Ho	2022-01-18

APPROVED BY	DATE
Fred Lee	2022-01-18

ITER NO	DATE
8	2022-01-18

DRAWN BY	DATE
Allen Pan	2022-01-18

CHECKED BY	DATE
Sam Ho	2022-01-18

APPROVED BY	DATE
Fred Lee	2022-01-18

ITER NO	DATE
8	2022-01-18

DRAWN BY	DATE
Allen Pan	2022-01-18

CHECKED BY	DATE
Sam Ho	2022-01-18

APPROVED BY	DATE
Fred Lee	2022-01-18

ITER NO	DATE
8	2022-01-18

DRAWN BY	DATE
Allen Pan	2022-01-18

CHECKED BY	DATE
Sam Ho	2022-01-18

APPROVED BY	DATE
Fred Lee	2022-01-18

ITER NO	DATE
8	2022-01-18

DRAWN BY	DATE
Allen Pan	2022-01-18

CHECKED BY	DATE
Sam Ho	2022-01-18

APPROVED BY	DATE
Fred Lee	2022-01-18

ITER NO	DATE
8	2022-01-18

DRAWN BY	DATE
Allen Pan	2022-01-18

CHECKED BY	DATE
Sam Ho	2022-01-18

APPROVED BY	DATE
Fred Lee	2022-01-18

ITER NO	DATE
8	2022-01-18

DRAWN BY	DATE
Allen Pan	2022-01-18

CHECKED BY	DATE
Sam Ho	2022-01-18

APPROVED BY	DATE
Fred Lee	2022-01-18

ITER NO	DATE
8	2022-01-18

DRAWN BY	DATE
Allen Pan	2022-01-18

CHECKED BY	DATE
Sam Ho	2022-01-18