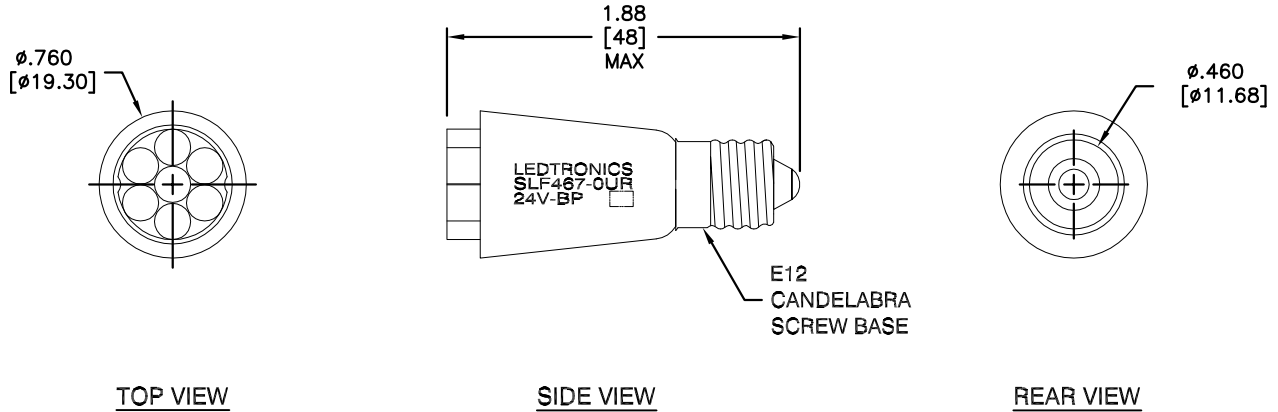


LTR	REVISION	DATE	APPD
-	RELEASED	03-07-19	



NOTES:

1. ALL DIMENSIONS ARE IN INCHES [MILLIMETERS].
2. SLEEVE MATERIAL / COLOR: RYNITE FR530 / RED
3. BASE MATERIAL: BRASS, NICKEL PLATED BRASS

REVISION NOTIFICATION	
<input type="checkbox"/>	DLC
<input type="checkbox"/>	UL/ETL
<input type="checkbox"/>	MADE IN USA
<input type="checkbox"/>	CUSTOMER _____
<input type="checkbox"/>	OTHER
REDLINE CHECKLIST	
<input type="checkbox"/>	REDLINE(YES)
<input type="checkbox"/>	DATE: _____
<input type="checkbox"/>	INITIATED BY: _____
<input type="checkbox"/>	ECR REQUIRED YES <input type="checkbox"/> NO <input type="checkbox"/>
<input type="checkbox"/>	WORK ORDER# _____

ELECTRICAL-OPTICAL CHARACTERISTICS (Ta = 25°C)

SLF467-OUR-024B	ULTRA RED	24Vdc	0.020 A	0.48 W	0.800 cd	650	90°	BipolarDC (+/-)
LEDTRONICS PART NO.	COLOR EMITTED	INPUT VOLTAGE, V (typ)	CURRENT (A)	POWER (W)	MAXIMUM CANDELA	λ P nm	VIEWING ANGLE (FULL BEAM WIDTH @ 50% INTENSITY)	CENTER CONTACT POLARITY

<p>LEDTRONICS, INC. 23105 KASHIWA COURT TORRANCE, CA 90505</p>	<p>-PROPRIETARY- This document contains Proprietary Information of LEDTRONICS, INC. It may not be copied, used or disclosed for any purpose without the prior express written consent of LEDTRONICS, INC.</p>		<p>TITLE SLF467-0UR-024B</p>					
	<p>.XXX ± .010 TOLERANCE PER ANSI-Y14.5 .XX ± .025 (UNLESS OTHERWISE STATED) ANGLES ± 0°,30' FRACT. ± 1/32</p>		<p>DWG NO</p> <p>SLF467-24V-BP</p>	<p>SCALE</p> <p>1:1</p>	<p>SHEET</p> <p>1 OF 1</p>	<p>DATE</p> <p>03-07-19</p>		
	<p>CODE IDENT NO.</p> <p>8Z410</p>	<p>DWG BY</p> <p>HF</p> <p>03-07-19</p>	<p>CHK BY</p>	<p>QA</p> <p>SB</p> <p>05-31-19</p>	<p>MFG</p> <p>LD</p> <p>05-30-19</p>	<p>R&D</p> <p>UF</p> <p>05-30-19</p>		