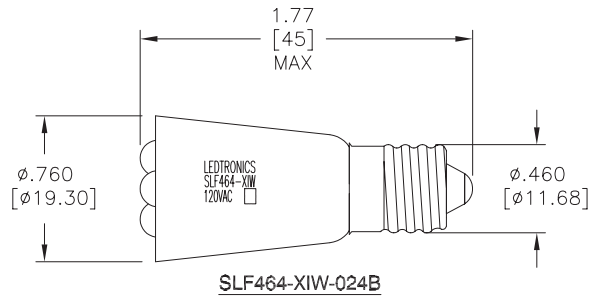
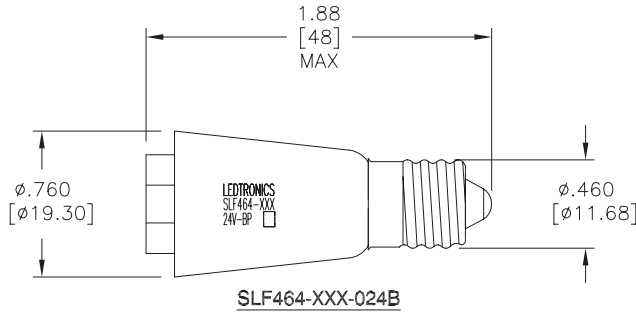


LTR	REVISION	DATE	APPD
-	RELEASED	06-27-12	MM



**NOTES:**

1. SLEEVE MATERIAL: RYNITE FR530
2. BASE MATERIAL: BRASS  
NICKEL PLATED BRASS
3. ALL DIMENSIONS ARE IN INCHES [MILLIMETERS].

REVISION NOTIFICATION	
<input type="checkbox"/>	PMA
<input type="checkbox"/>	UL
<input type="checkbox"/>	MADE IN USA
<input type="checkbox"/>	CUSTOMER _____
<input type="checkbox"/>	OTHER

SLF464-0AG-024B	AQUA GREEN	24V	0.015 A	0.4-0.6 W	1.600 cd	-	525	120°
SLF464-0CW-024B	COOL WHITE	24V	0.015 A	-	0.640 cd	68-70	8000K	120°
SLF464-0UR-024B	ULTRA RED	24V	0.020 A	-	0.460 cd	-	660	120°
SLF464-XIW-024B	WARM WHITE	24V	0.015 A	0.36 W	3.300 cd	-	2800K~3200K	120°
LEDTRONICS PART NO.	COLOR EMITTED	INPUT VOLTAGE	CURRENT (A)	POWER (W)	MAXIMUM CANDELA	CRI	λP nm	VIEWING ANGLE

**ELECTRICAL TEST**

 LEDTRONICS,™ INC. 23105 KASHIWA COURT TORRANCE, CA 90505	-PROPRIETARY- This document contains Proprietary information of LEDTRONICS,™ INC. It may not be copied, used or disclosed for any purpose without the prior express written consent of LEDTRONICS,™ INC.		<b>TITLE</b> SLF464-XXX-024B					
	.XXX ± .010 TOLERANCE PER ANSI-Y14.5 .XX ± .025 (UNLESS OTHERWISE STATED) ANGLES ± 0°,30' FRACT. ± 1/32		DWG NO	SCALE	SHEET	DATE		
			SLF464-24V-BP	1:1	1 OF 1	06-27-12		
			CODE IDENT NO.	DWG BY	CHK BY	QA	MFG	R&D
		8Z410	06-27-12	06-28-12			BJ 06-28-12	