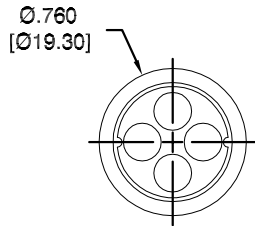
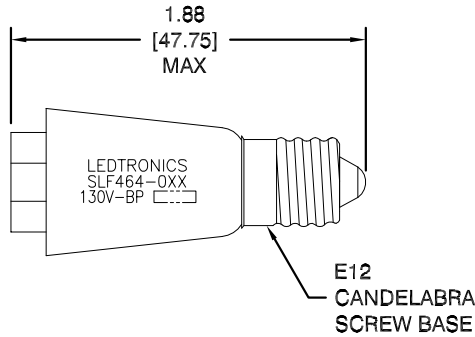


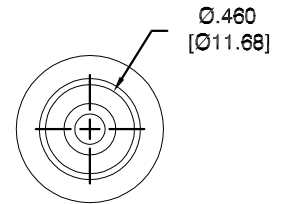
LTR	REVISION	DATE	APPD
-	RELEASED	03-05-19	



TOP VIEW



SIDE VIEW



REAR VIEW



**NOTES:**

1. ALL DIMENSIONS ARE IN INCHES [MILLIMETERS].
2. SLEEVE MATERIAL: RYNITE FR530
3. BASE MATERIAL: BRASS, NICKEL PLATED BRASS

**REVISION NOTIFICATION**

- DLC
- UL/ETL
- MADE IN USA
- CUSTOMER \_\_\_\_\_
- OTHER

**REDLINE CHECKLIST**

- REDLINE(YES)
- DATE: \_\_\_\_\_
- INITIATED BY: \_\_\_\_\_
- ECR REQUIRED YES  NO
- WORK ORDER# \_\_\_\_\_

**ELECTRICAL-OPTICAL CHARACTERISTICS (Ta = 25°C)**

SLF464-0AG-130B	AQUA GREEN	130Vdc	0.010 A	1.3 W	0.920 cd	-	519	80°	BipolarDC (+/-)
SLF464-0CW-130B	COOL WHITE	130Vdc	0.010 A	1.3 W	0.340 cd	68-70	8000K	90°	BipolarDC (+/-)
SLF464-0UR-130B	ULTRA RED	130Vdc	0.010 A	1.3 W	0.160 cd	-	650	90°	BipolarDC (+/-)
SLF464-0UY-130B	SUPER YELLOW	130Vdc	0.010 A	1.3 W	-	-	596	90°	BipolarDC (+/-)
LEDTRONICS PART NO.	COLOR EMITTED	INPUT VOLTAGE, V (typ)	CURRENT (A)	POWER (W)	MAXIMUM CANDELA	CRI	$\lambda_P$ nm COLOR TEMP. (K)	VIEWING ANGLE (FULL BEAM WIDTH @ 50% INTENSITY)	CENTER CONTACT POLARITY

**LED**<sup>®</sup>  
**LEDTRONICS,™ INC.**  
 23105 KASHIWA COURT  
 TORRANCE, CA 90505

**-PROPRIETARY-**  
 This document contains Proprietary Information of LEDTRONICS, INC. It may not be copied, used or disclosed for any purpose without the prior express written consent of LEDTRONICS, INC.

.XXX ± .010 TOLERANCE PER ANSI-Y14.5  
 .XX ± .025 (UNLESS OTHERWISE STATED)  
 ANGLES ± 0°,30'  
 FRACT. ± 1/32

<b>TITLE</b>						<b>SLF464-0XX-130B</b>			
<b>DWG NO</b>		<b>SCALE</b>		<b>SHEET</b>		<b>DATE</b>			
SLF464-130V-BP		1:1		1 OF 1		03-05-19			
<b>CODE IDENT NO.</b>	<b>DWG BY</b>	<b>CHK BY</b>	<b>QA</b>	<b>SB</b>	<b>MFG</b>	<b>LD</b>	<b>R&amp;D</b>	<b>UF</b>	<b>UF</b>
8Z410	03-05-19		05-31-19		05-30-19		05-30-19		05-30-19