



Medical



Industrial

FEATURES AND BENEFITS

Medical & ITE Safety Approvals	CoC V5 Tier 2
2 x MOPP Input to Output Isolation	≤0.075W Standby Power
Suitable for Medical Equipment Up to Class BF ^(*)	9V to 36V Outputs, Up to 36W
Low Leakage Current ≤50μA	5,000m Operating Altitude
DOE Efficiency Level VI	Interchangeable AC plugs



MODEL SELECTION

Model Number	Volts ^(*)	Current	Rated Power	Ripple & Noise ^{(max)(*)}	Voltage Tolerance	Line & Load Regulation	Efficiency (Average)	Start Up Delay
SLE36S0903B01	9.0V	3.0A	27.0W	400mV pk-pk	±5%	Line: ±1% Load: ±5%	88.30%	≤3s
SLE36S1203B01	12.0V	3.0A	36.0W	400mV pk-pk	±5%		88.30%	≤3s
SLE36S2403B01	24.0V	1.5A	36.0W	180mV pk-pk	±5%		88.30%	≤3s
SLE36S3603B01	36.0V	1.0A	36.0W	180mV pk-pk	±5%		88.30%	≤3s

Notes:

1. Measured at output connector with 20MHz bandwidth and 0.1μF ceramic in parallel with 10μF electrolytic capacitors.
2. Other output voltages in the range of 9V through 36V are available, contact us for details.
3. "B" in the model number (SLE36S0503B01) indicates interchangeable blade model (see note 4).
4. "03" in the model number indicates 2.5 x 5.5 x 9.5mm straight barrel type connector. Other output connector options are available, please contact our sales representative for details.
5. Power supply is not fitted with the AC blade, this is to be ordered separately. See outline drawing below for details
6. Power supplies are not medical equipment (applied parts), medical product manufacturers shall take responsibility for further evaluation of class B/BF/CF compliance of their end product.

INPUT

Input Voltage and Frequency	90VAC–264VAC 47Hz–63Hz
Input Current	0.5A at 90VAC
Inrush Current	70A max at 240VAC cold start
Touch Leakage Current ^(max)	≤50μA at 264VAC

SAFETY

CB	Medical: IEC60601-1, ANSI/AAMI ES60601-1 ITE: IEC62638-1, UL62638-1
UL	Medical: CAN/CSA C22.2 NO. 60601-1 ITE: CAN/CSA C22.2 NO. 62638-1
TUV	Medical: EN60601-1 ITE: EN62638-1
RCM	ITE: AS/NZS 62638.1
PSE	ITE: J62638-1 (For Class II only)



EMI/EMC COMPLIANCE

Conducted Emissions	Medical: IEC/EN 60601-1-2, CISPR 11 ITE: EN55022, CISPR 22
Radiated Emissions	Medical: IEC/EN 60601-1-2, CISPR 11 ITE: EN55022, CISPR 22
Immunity	Medical: IEC/EN 60601-1-2 ITE: EN55024, CISPR 24
Electro-Static Discharge (ESD) Immunity on Power Ports	EN61000-4-2, ±15kV air, ±8kV contact
Radiated RF EM Fields Susceptibility ³	EN61000-4-3, 10V/m, 3V/m (80MHz–2.7GMHz)
Electrical Fast Transients (EFT)/Bursts	EN61000-4-4, ±2kV on AC port, ±1kV on signal ports
Surges, Line to Line (DM) and Line to Ground (CM)	EN61000-4-5, ±2kV line to line (diff mode) compatible ±4kV line to line (diff mode)
Conducted RF Immunity	EN61000-4-6, 3Vrms, 6Vrms (0.15MHz–80MHz)
Power Frequency Magnetic Field Immunity	EN61000-4-8, 30A/m
Voltage Dip Immunity	EN61000-4-11, 0%, 70%, 0% of UT
Harmonic Current Emissions	EN61000-3-2, Class A
Flicker Test	EN61000-3-3

ENVIRONMENT

Operating Temperature	0°C to 40°C
Storage Temperature	-20°C to 60°C
Weight	230 grams
Dimensions	96.7mm x 33mm x 50.5mm
Operating Humidity	10% RH to 90% RH, non-condensing
Storage Humidity	5% RH to 90% RH
Operating Altitude	5,000m
Dielectric Withstand Voltage	5,656VDC input to output
Insulation Resistance	10M Ohms, 500VDC input to output

PROTECTION

Overload Protection	110%–200% rated output power, Auto-recovery
Overvoltage Protection	120%–150% rated output voltage input to reset
Short circuit Protection	Trip and restart - Hiccup Mode

RELIABILITY

MTBF	>100,000 hours MIL-HDBK-217 at 25°C
------	-------------------------------------

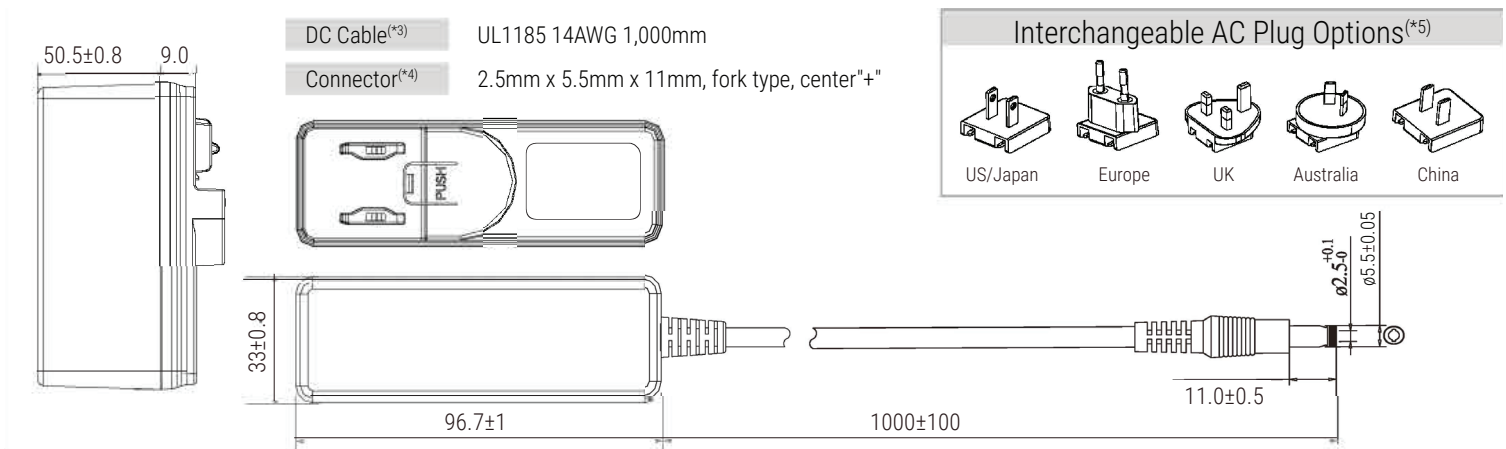
PACKAGING

Weight, Packing Qty	230g, Individual Box: 60/carton; Egg-crate: 50/carton
---------------------	---

ISOLATION

Isolation Safety Rating	4,000VAC Input to Output (2 x MOPP)
-------------------------	-------------------------------------

MECHANICAL DRAWING



Unit: mm