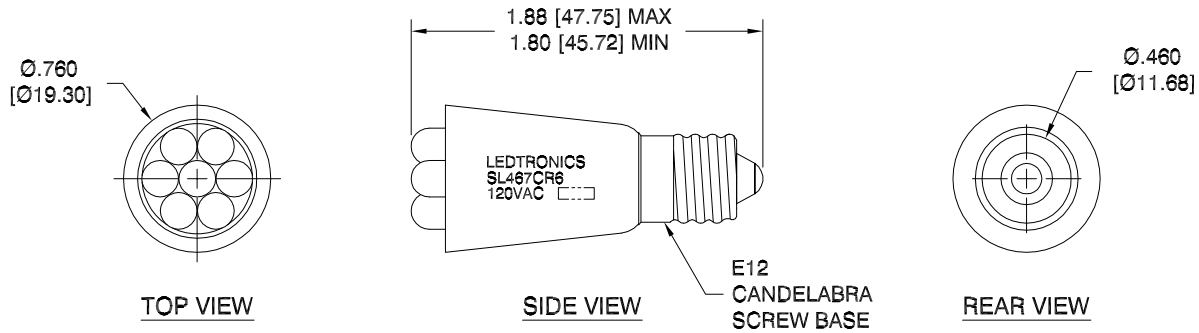


LTR	REVISION	DATE	APPD
-	RELEASED	02-03-20	



NOTES:

1. ALL DIMENSIONS ARE IN INCHES [MILLIMETERS].
2. SLEEVE MATERIAL COLOR: RYNITE FR530 / RED
3. BASE MATERIAL: BRASS, NICKEL PLATED BRASS

REVISION NOTIFICATION	
<input type="checkbox"/> DLC	
<input type="checkbox"/> UL/ETL	
<input type="checkbox"/> MADE IN USA	
<input type="checkbox"/> CUSTOMER _____	
<input type="checkbox"/> OTHER	
REDLINE CHECKLIST	
<input type="checkbox"/> REDLINE(YES)	
<input type="checkbox"/> DATE: _____	
<input type="checkbox"/> INITIATED BY: _____	
<input type="checkbox"/> ECR REQUIRED YES <input type="checkbox"/> NO <input type="checkbox"/>	
<input type="checkbox"/> WORK ORDER# _____	

ELECTRICAL-OPTICAL CHARACTERISTICS (Ta = 25°C)

SL467CR6-0007	SL467CR6-120Vac/10	ULTRA RED	120Vac	0.008 A	654nm	40°
LEDTRONICS PART NO.	DESCRIPTION PART NO.	COLOR EMITTED	INPUT VOLTAGE, V	CURRENT (A)	λP nm	VIEWING ANGLE (FULL BEAM WIDTH @ 50% INTENSITY)

<p>LEDTRONICS,™ INC. 23105 KASHIWA COURT TORRANCE, CA 90505</p>	<p>-PROPRIETARY- This document contains Proprietary information of LEDTRONICS,™ INC. It may not be copied, used or disclosed for any purpose without the prior express written consent of LEDTRONICS,™ INC.</p>		<p>TITLE SL467CR6-0007 (SL467CR6-120Vac/10)</p>			
	<p>.XXX ± .010 TOLERANCE PER ANSI-Y14.5 .XX ± .025 (UNLESS OTHERWISE STATED) ANGLES ± 0°,30' FRACT. ± 1/32</p>		DWG NO	SCALE	SHEET	DATE
			SL467-120VAC-1	1:1	1 OF 1	02-03-20
	CODE IDENT NO.	DWG BY GP	CHK BY	QA SB	MFG LD	R&D UF
	8Z410	02-03-20		02-03-20	02-03-20	02-03-20