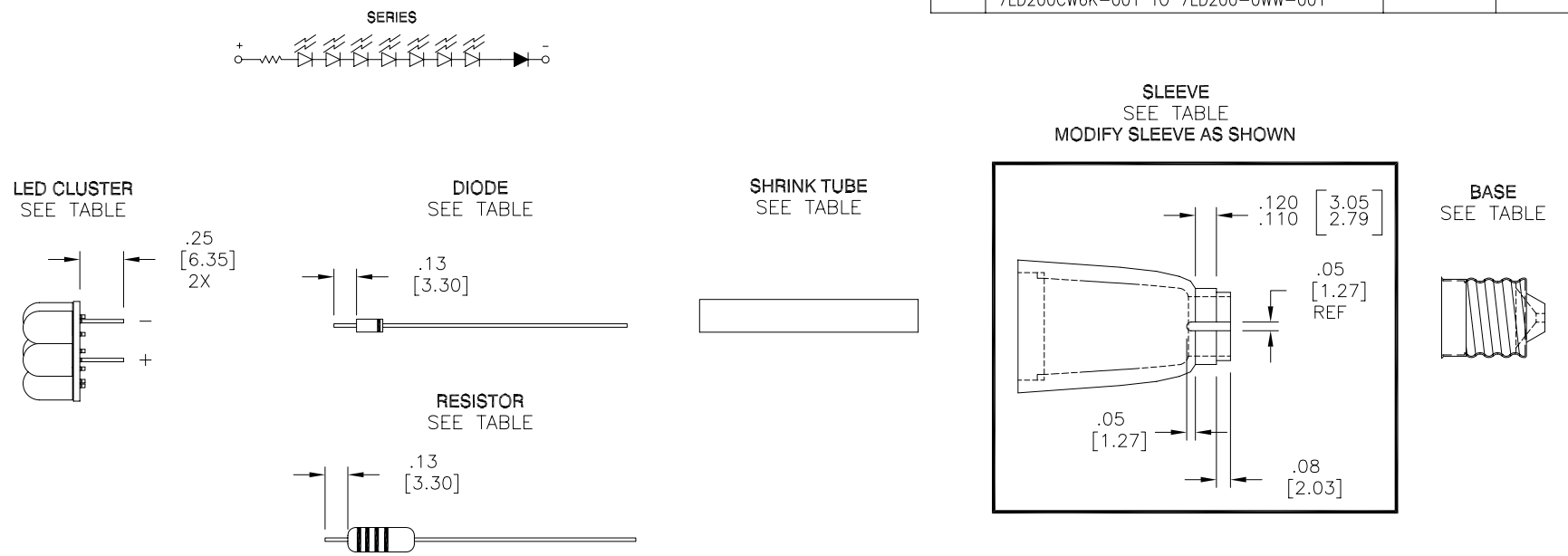


LEDTRONICS PART NO.	CLUSTER PART NO.	DIODE PART NO.	RESISTOR PART NO.	SHRINK TUBE PART NO.	SLEEVE PART NO.	BASE PART NO.
SL467-0AG-120A	7LD200CWAG10K-001	DIO-BAV21	RES-8K-2W(1/2 BODY)	ST-3/16X1.25XWT	SLV-SL467G	BASE-S467
SL467-0CW-120A	7LD200-0WW-001	DIO-BAV21	RES-8K-2W(1/2 BODY)	ST-3/16X1.25XWT	SLV-SL467W	BASE-S467
SL467-00R-120A	7LD190CW03K-14V	DIO-BAV21	RES-8K-2W(1/2 BODY)	ST-3/16X1.25XWT	SLV-SL4670	BASE-S467
SL467-0UR-120A	7LD200CWR3K-12V	DIO-BAV21	RES-8K-2W(1/2 BODY)	ST-3/16X1.25XWT	SLV-SL467R	BASE-S467
SL467-0UY-120A	7LD190CY3K-14VF	DIO-BAV21	RES-8K-2W(1/2 BODY)	ST-3/16X1.25XWT	SLV-SL467Y	BASE-S467
SL467CG5-0006	7LD200CWG5-14VF	DIO-BAV21	RES-8K-2W(1/2 BODY)	ST-3/16X1.25XWT	SLV-SL467G	BASE-S467
SL467CG6-0004	7LD190CWG6-14VF	DIO-BAV21	RES-8K-2W(1/2 BODY)	ST-3/16X1.25XWT	SLV-SL467G	BASE-S467
SL467CLW6-0003	7LD190CLW6-14VF	DIO-BAV21	RES-8K-2W(1/2 BODY)	ST-3/16X1.25XWT	SLV-SL467W	BASE-S467
SL467CR5-0004	7LD200CWR5H-14V	DIO-BAV21	RES-8K-2W(1/2 BODY)	ST-3/16X1.25XWT	SLV-SL467R	BASE-S467
SL467CR6-0007	7LD190CWR6-12VF	DIO-BAV21	RES-8K-2W(1/2 BODY)	ST-3/16X1.25XWT	SLV-SL467R	BASE-S467
SL467CR900H-001	7LD200CR900H-14	DIO-BAV21	RES-8K-2W(1/2 BODY)	ST-3/16X1.25XWT	SLV-SL467R	BASE-S467
SL467CW5-0001	7LD200CW5-14VF	DIO-BAV21	RES-8K-2W(1/2 BODY)	ST-3/16X1.25XWT	SLV-SL467W	BASE-S467
SL467CWA5-0001	7LD200CWY5-14VF	DIO-BAV21	RES-8K-2W(1/2 BODY)	ST-3/16X1.25XWT	SLV-SL467Y	BASE-S467
SL467CWPG5-0002	7LD200CWPG5-14V	DIO-BAV21	RES-8K-2W(1/2 BODY)	ST-3/16X1.25XWT	SLV-SL467G	BASE-S467
SL467CWR7-0001	7LD190CWR6-12VF	DIO-BAV21	RES-8K-2W(1/2 BODY)	ST-3/16X1.25XWT	SLV-SL467R	BASE-S467
SL467CY5-0002	7LD200CWY5-14VF	DIO-BAV21	RES-8K-2W(1/2 BODY)	ST-3/16X1.25XWT	SLV-SL467Y	BASE-S467
SL467CY6-0001	7LD190CY6-14VF	DIO-BAV21	RES-8K-2W(1/2 BODY)	ST-3/16X1.25XWT	SLV-SL467Y	BASE-S467

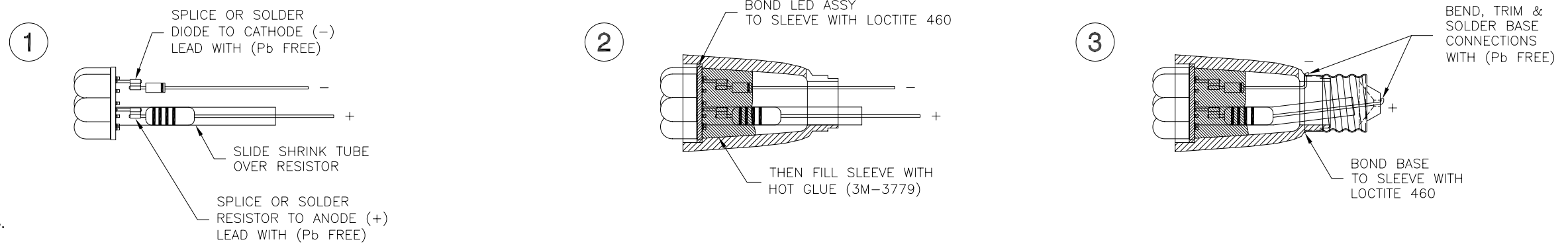
FORM 032405-1

LTR	REVISION	DATE	APPD
C	092006-SAR01: CHG CLUSTER FROM 7LD200CW6K-001 TO 7LD200-0WW-001	06-05-07	SK

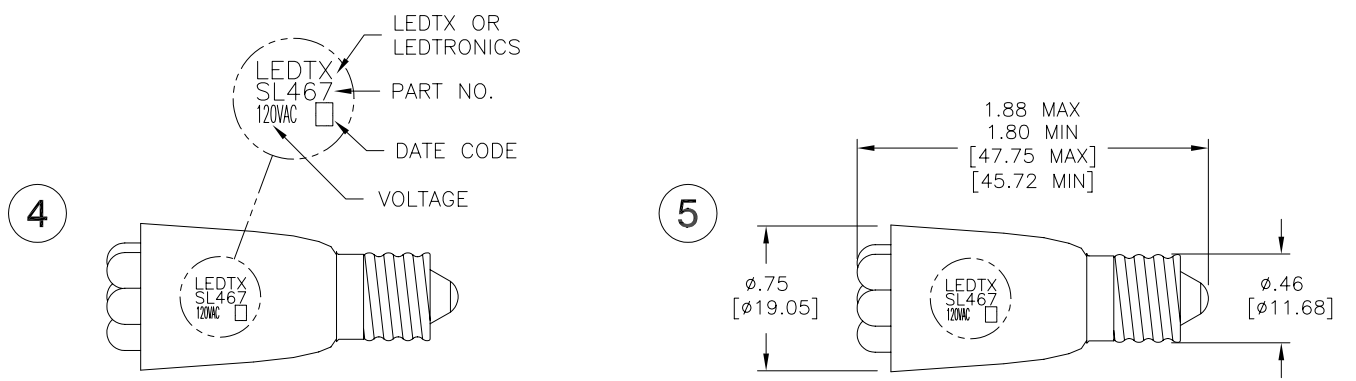


**TEST REQUIREMENTS:**

1. TORQUE TEST FINISHED PRODUCTS TO 3 IN-LBS.
2. TEST FOR COLOR AND POLARITY.
3. LIVE BURN IN FOR 10 MINUTES AT RATED VOLTAGE .
4. ELECTRICAL TEST IN ACCORDANCE WITH TEST TABLE.



SL467-0AG-120A	SL467CAG6K-120VAC	AQUA GREEN	120	8	525
SL467-0CW-120A	SL467CW600-120VAC	COOL WHITE	120	8	8000K
SL467-00R-120A	SL467CO6K-120VAC	SUPER ORANGE	120	8	610
SL467-0UR-120A	SL467CR3K-120VAC	ULTRA RED	120	8	660
SL467-0UY-120A	SL467CY3K-120VAC	SUPER YELLOW	120	8	595
SL467CG5-0006	SL467CG5-120VAC/10	HI-EFF GREEN	120	8	565
SL467CG6-0004	SL467CG6-120VAC/10	HI-EFF GREEN	120	8	565
SL467CLW6-0003	SL467CLW6-120VAC/10	SUPER YELLOW/HI-EFF GREEN	120	8	595/565
SL467CR5-0004	SL467CR5-120VAC/10	HI-EFF RED	120	8	635
SL467CR6-0007	SL467CR6-120VAC/10	ULTRA RED	120	8	660
SL467CR900H-001	SL467CR900H-120VAC/10	ULTRA RED	120	8	654
SL467CW5-0001	SL467CW5-120VAC/10	HI-EFF RED/HI-EFF GREEN	120	8	635/565
SL467CWA5-0001	SL467CWA5-120VAC/10	YELLOW	120	8	585
SL467CWPG5-0002	SL467CWPG5-120VAC/10	PURE GREEN	120	8	555
SL467CWR7-0001	SL467CWR7-120VAC/10	ULTRA RED	120	8	660
SL467CY5-0002	SL467CY5-120VAC/10	YELLOW	120	8	585
SL467CY6-0001	SL467CY6-120VAC/10	YELLOW/SUPER YELLOW	120	8	585/595



REVISION NOTIFICATION	
<input type="checkbox"/>	PMA
<input type="checkbox"/>	UL
<input type="checkbox"/>	CUSTOMER _____
<input type="checkbox"/>	OTHER

<p>LED<sup>®</sup> LEDTRONICS,™ INC. 23105 KASHIWA COURT TORRANCE, CA 90505</p>	<p>-PROPRIETARY- This document contains Proprietary information of LEDTRONICS,™ INC. It may not be copied, used or disclosed for any purpose without the prior express written consent of LEDTRONICS,™ INC.</p> <p>.XXX ± .010 TOLERANCE PER ANSI-Y14.5 .XX ± .025 (UNLESS OTHERWISE STATED) ANGLES ± 0°.30' FRACT. ± 1/32</p>	<p>TITLE <b>SL467-OXX-120A</b> <b>SL467CXXXXX-00XX</b></p>			
		DWG NO	SCALE	SHEET	DATE
CODE IDENT NO.	DWG BY	CHK BY	QA	MFG	CUSTOMER
8Z410	MM	06-12-07	06-12-07		

LEDTRONICS PART NO.	DESCRIPTION PART NO.	COLOR EMITTED	SET VOLTS	READ mA typ.	λP nm
<b>ELECTRICAL TEST</b>					