

TACT Switch™ Surface Mount Type
2.6 × 1.6mm Compact Type with Projection Type (Surface Mount) SKTA Series

Part number

SKTAAAE010

Standard ?

Members Area

Save Item

MEMBERS ONLY

Basic information ▾

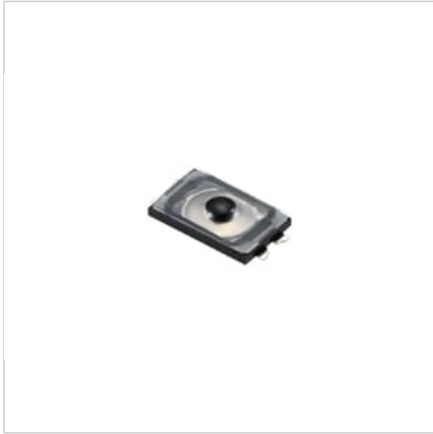
Dimensions ▾

Land Dimensions ▾

Circuit Diagram ▾

Packing Specifications ▾

Soldering Conditions ▾



Type	Surface mount		
Operating force	1.6N		
Operating direction	Top push		
Travel	0.11mm		
Product height	0.53mm		
Operating life(5mA 5V DC)	300,000 cycles		
Initial contact resistance	500mΩ max.		
Water-proof & Dust-proof Type	IP67		
Dimensions(W × D × H)	2.6 × 1.6 × 0.53		
Series type	Sharp feeling type		
Operating temperature range	-40°C to +90°C		
Absolute Maximum Ratings	50mA 12V DC		
Rating (min.)	10 μA 1V DC		
Electrical performance	Insulation resistance	100MΩ min. 100V DC for 1 min.	
	Voltage proof	100V AC for 1 min.	
Durability	Vibration	10 to 55 to 10Hz/min., the amplitude is 1.5mm for all the frequencies, in the 3 direction of X, Y and Z for 2 hours respectively	
	Environmental performance	Cold	-40°C 96h
		Dry heat	90°C 96h
Environmental performance	Damp heat	60°C, 90 to 95%RH 96h	
	Minimum order unit(pcs.)	Japan	20,000
Export		20,000	

NET SHOP

3D CAD

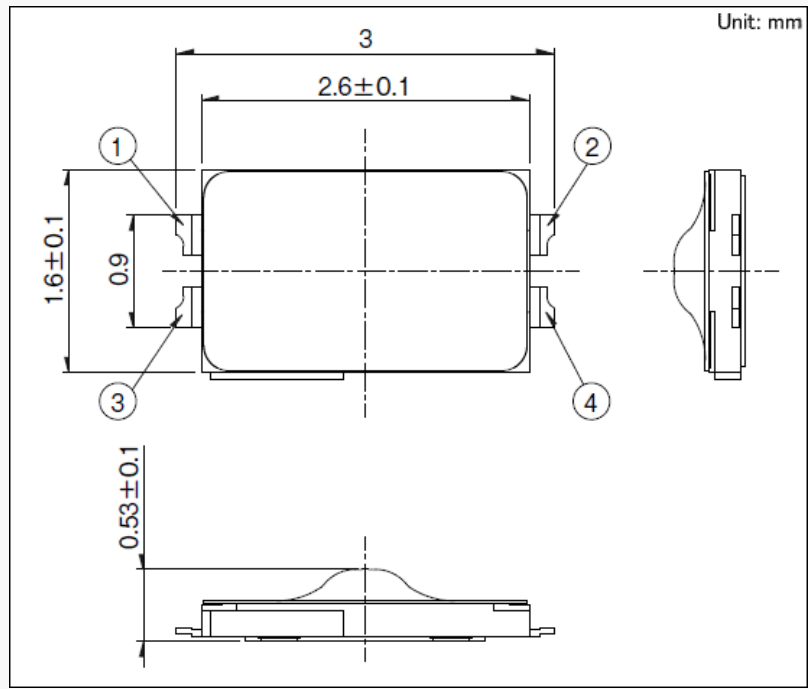
RoHS

Product Specification

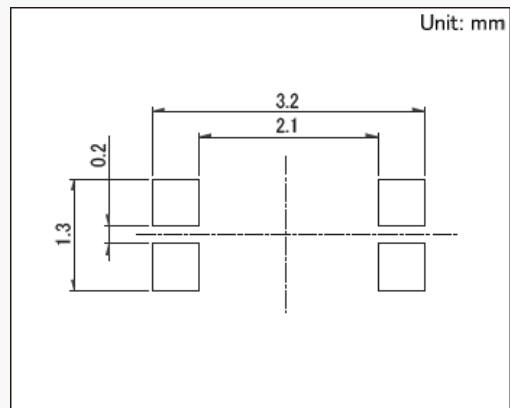
Inquiry

Print

Dimensions

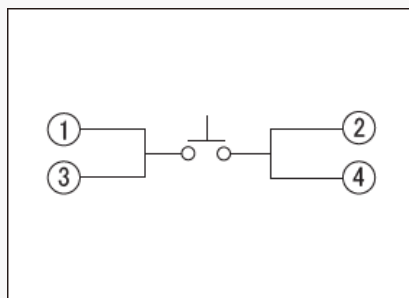


Land Dimensions



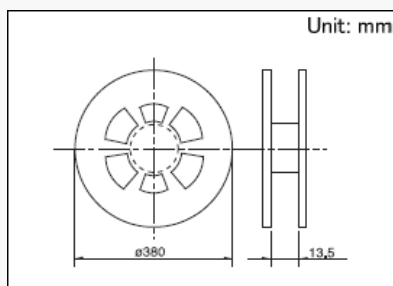
Viewed from mounting face.

Circuit Diagram



Packing Specifications

Taping



Number of packages (pcs.)

1 reel	20,000
1 case / Japan	200,000
1 case / export packing	200,000

Tape width (mm)

12

Export package measurements (mm)

395 × 395 × 205

Soldering Conditions

Condition for Reflow

1. Heating method
Double heating method with infrared heater.
2. Temperature measurement
Thermocouple 0.1 to 0.2 Φ CA(K) or CC(T) at solder joints (copper foil surface). A heat resisting tape should be used for fix measurement.
3. Temperature profile