

## SUMMARY



Image is for illustrative purpose only

### # Wires

Low voltage 8

Series	SP
Termination type	Female print 90° PCB
IP rating	50
AWG wire size	30.00 - 22.00
Cable Ø	0.00 - 0.00 mm
Status	active
Matching parts	<a href="#">SAN.M08.GLA.5G</a>

### Download

- [Request a quote](#)
- [PCB Eagle Pattern](#)
- [PCB Altium Pattern](#)
- [PCB KiCad Pattern](#)
- [Catalog](#)

## TECHNICAL DETAILS

### Mechanics

Shell Style/Model	SK_.SP*: Fixed socket, key (N) or keys (P, S and T), with two nuts (back panel mounting), grey front nut and elbow print contacts
Keying	3 keys (alpha=0, gamma=30, plug: male contacts, receptacle: female contacts)
Housing Material	Proprietary sulfone, gray
Variant	G : Gray front nut
Weight	5.46 g

### Performance

Configuration	SP.M08 : 8 Low V.
Insulator	L: PEEK (UL 94 / V-0/1.5)
Rated Current	5.0 Amps

### Others

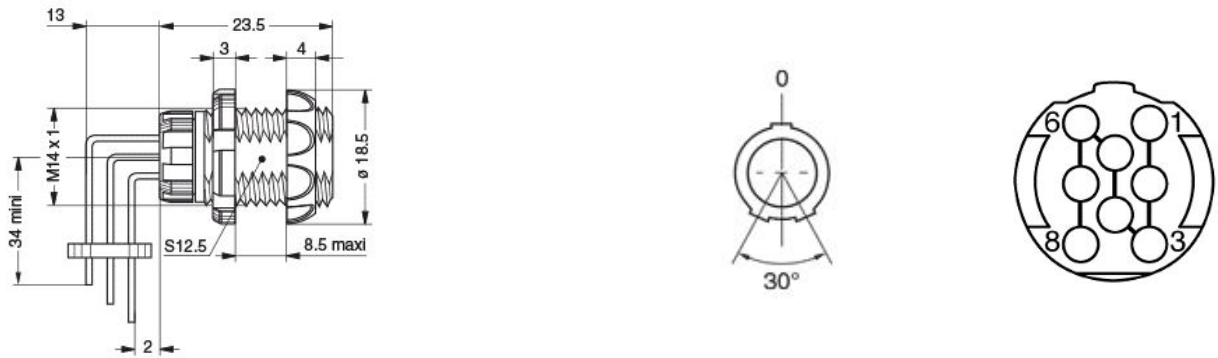
Endurance (Shell): >2000 mating cycles  
Temp (min / max): -50°C / +170°C

LEMO products and services are provided "as is". LEMO makes no warranties or representations with regard to LEMO product & services or use of them, express, implied or statutory, including for accuracy, completeness, or security. The user is fully responsible for his products and applications using LEMO components.

---

# DRAWINGS

## Draws



## Dimensions

	A	E <sub>max</sub>	L	N	e
mm.	18.5	8.5	36.5	23.5	M14x1
in.	0,73	0,33	1,44	0,93	

---

# RECOMMENDED BY LEMO

## Tools

## Cables

LEMO products and services are provided "as is". LEMO makes no warranties or representations with regard to LEMO product & services or use of them, express, implied or statutory, including for accuracy, completeness, or security. The user is fully responsible for his products and applications using LEMO components.