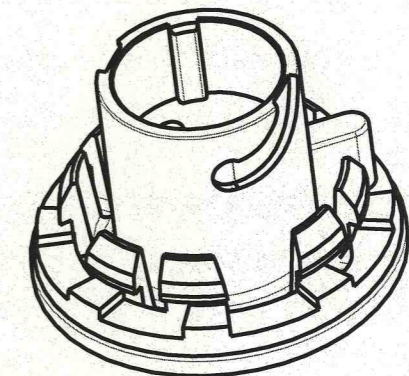
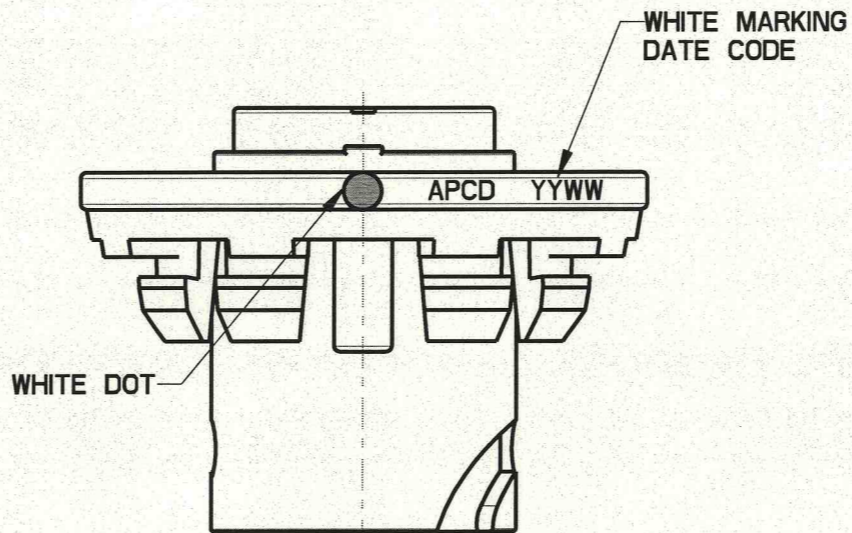
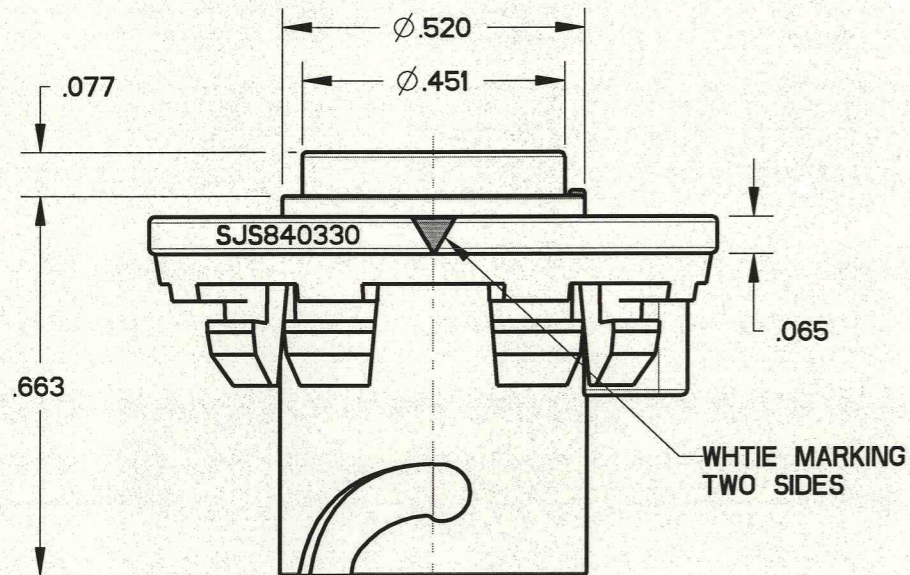
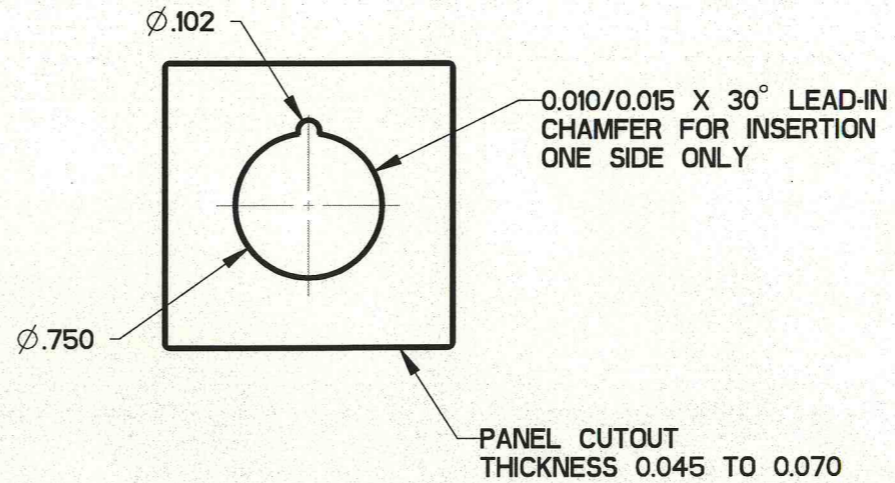
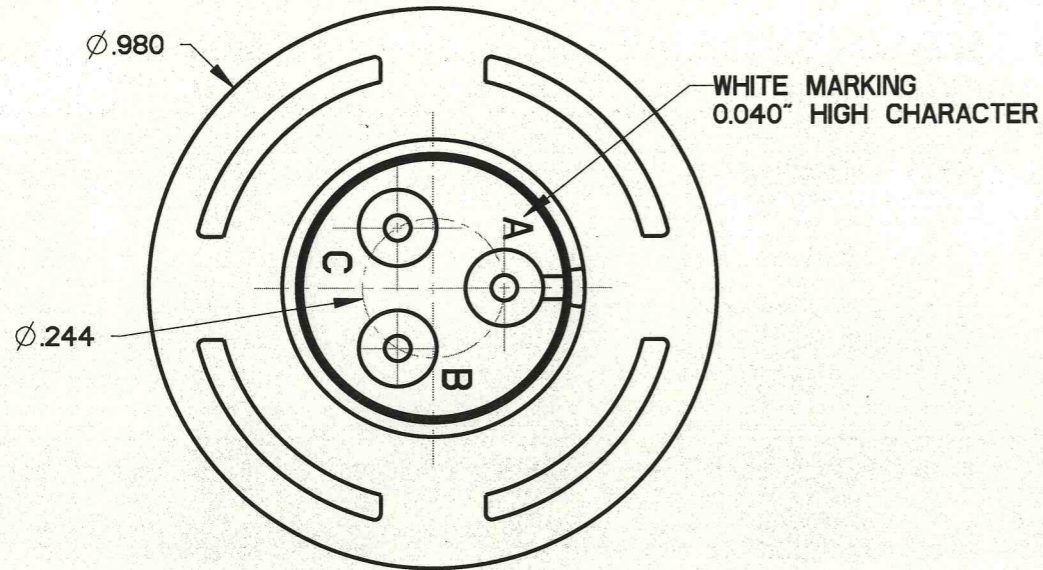


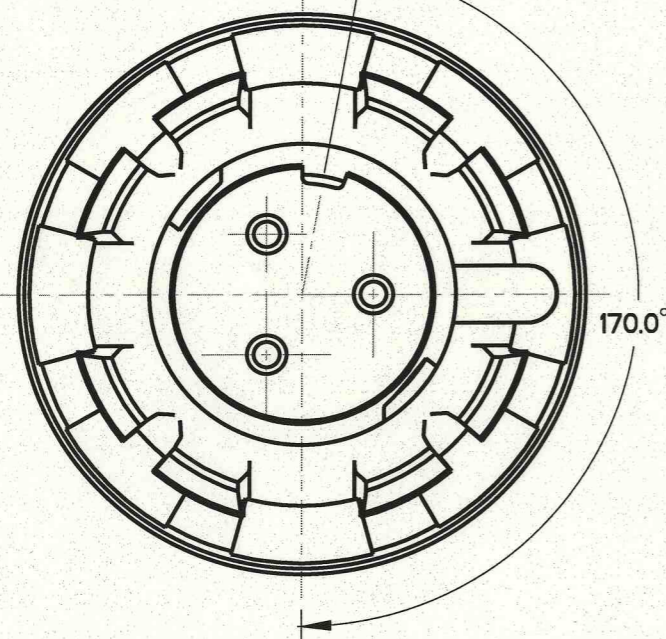
SJS840330

REV	ECN	APP'D
A	6428	10/28/09



SCALE 2:1

- NOTES:
- MATERIALS:
HOUSING: PA6/6
CONTACT RETAINER: STAINLESS STEEL
GROMMET: SILICONE RUBBER PER A-A-59588
 - ACCEPTS M39029/58-364 PIN CONTACTS (NOT INCLUDED)
 - PART MATES WITH SJS840340
 - WEIGHT: 3.4 GRAMS



SJS840330

SJS840330

DIMENSIONS ANSI Y14.5M UNITS: INCHES Pro/E FILE	TOLERANCES .XX ±0.01 .XXX ±0.005 ANGLES ±0.5°	PROJECTION 	Amphenol Pcd SPECIFICATION DRAWING ENGR Frank.Li 02-Mar-09		TITLE 3P SZ16 PANEL ALT BLACK RECEPTACLE FOR SJS		
			CHKD 10/26/09 APPD 10/28/09	SIZE B DWG NO. SJS840330_CE REV A	CODE: 58982 SCALE: 3:1 SHEET 1 OF 1		