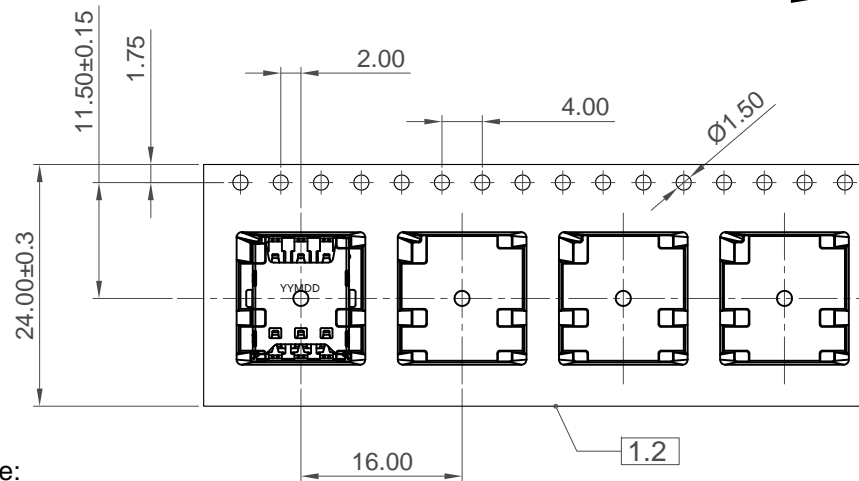
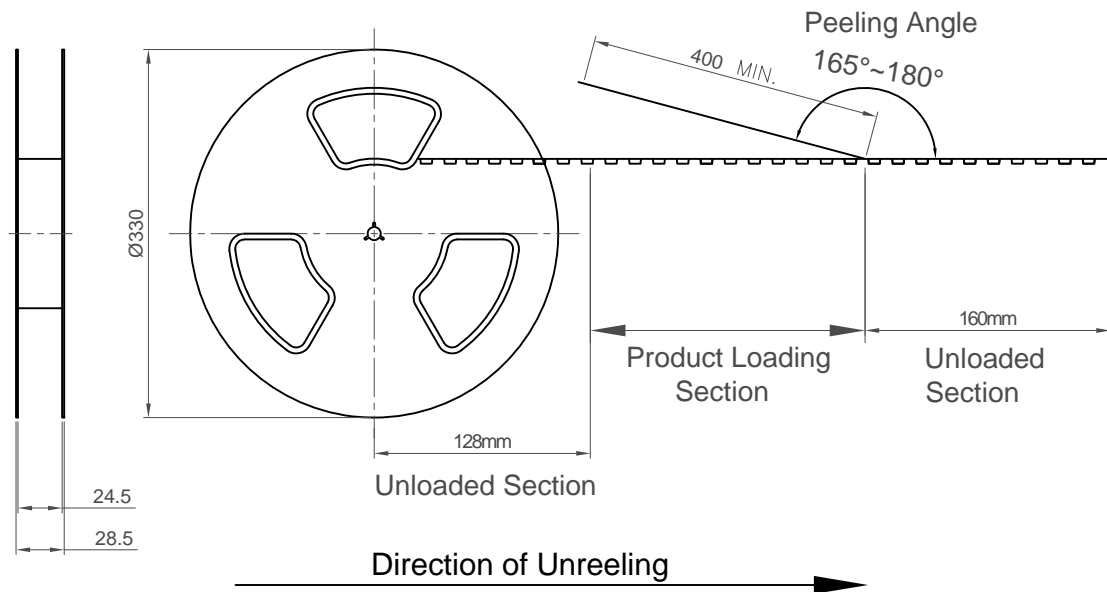


- C1----->VCC
- C2----->RST
- C3----->CLK
- C5----->GND
- C6----->Vpp
- C7----->I/O

Reference

Part Number		Product Description				This drawing is confidential and copyright of Global Connector Technology, Ltd (GCT). This drawing must not be copied or disclosed without written consent. E & OE	
SIM8051		Nano SIM Card Connector					
Drawing Date		Push-Pull Type, 6 Pin, SMT, Profile 1.35mm					
28th April 2015						Not to Scale Drawn By AJO Sheet No. 2/3	
By	CC	Tolerances (Except as Noted)					Units: Metric (mm)
Detail	SIM8051 D PCN	Length	Angle				
Revision	D1	X. ± 0.35	All ± 2°				
Date	12/12/16	X.X ± 0.25	X.XXX ± 0.10				

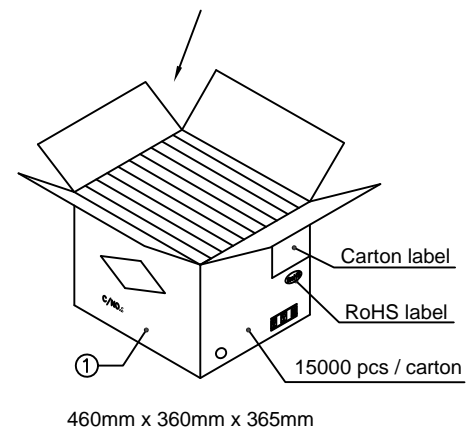
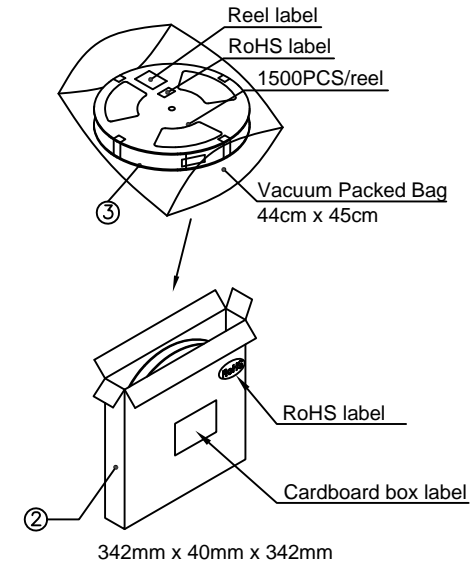
GCT
Global Connector Technology
www.gct.co



Note:

Material:

- Box: Fibreboard, Corrugated, Double wall.
- Tape: Polystyrene, Heat-resistant temperature: 120°C, black color.
- Reel: Polystyrene, Heat-resistant temperature: 70°C, blue color.
- Bag: Polyethylene, Heat-resistant temperature: 100°C.
- Peeling Strength: 0.1 ~ 1.3 n (10 ~ 130 grams)
- Peeling Speed: 300 mm/min.



Products P/N	PCS/Reel	Reels/Carton	PCS/Carton
SIM8051	1500	10	15000

Part Number SIM8051		Product Description Nano SIM Card Connector Push-Pull Type, 6 Pin, SMT, Profile 1.35mm	
Drawing Date 28th April 2015			
By CC	Tolerances (Except as Noted) Length	Units: Metric (mm)	 This drawing is confidential and copyright of Global Connector Technology, Ltd (GCT). This drawing must not be copied or disclosed without written consent. E & OE
Detail SIM8051 D PCN	Angle	3rd Angle Projection	
Revision D1			
Date 12/12/16			

GCT
Global Connector Technology
www.gct.co

Not to Scale Drawn By AJO Sheet No. 3/3