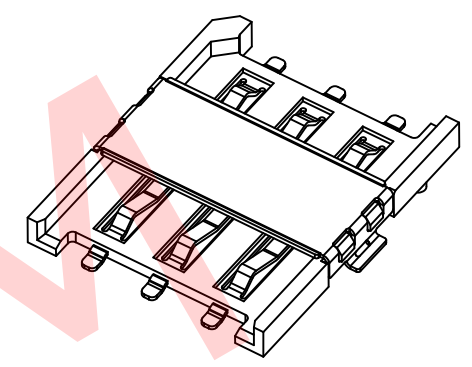


RECOMMENDED PCB LAYOUT
GENERAL TOLERANCE ±0.05

AS VIEWED FROM COMPONENT SIDE

- Solder Area
- Component Outline

- C1----->VCC
- C2----->RST
- C3----->CLK
- C5----->GND
- C6----->Vpp
- C7----->I/O



Specification 规格:

Material 物料规格:

Plastic Housing 塑胶外壳: LCP 30%GF, UL94V-0, Black 黑色
Contact Terminal 接触端子: Phosphor Bronze 磷青铜 C5191R-EH,
Thickness 厚度=0.15mm
Cover 覆盖: SUS301-H
Thickness 厚度=0.15mm

Plating 电镀规格:

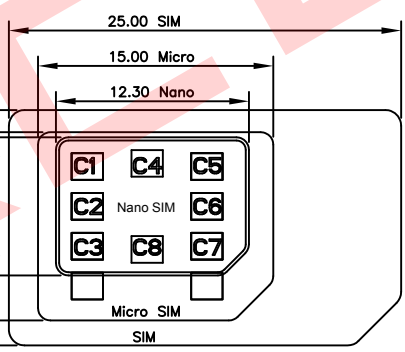
Contact Terminal 接触端子:
Contact Area 接触区域: 15μ"Gold 镀金, Solder area 焊接部分: 1μ" Tin 镀锡
Underplating 底层电镀: Ni overall 镍底 50μ"

Mechanical 机械规格:

Duration 耐久性: 5000cycles 次插拔

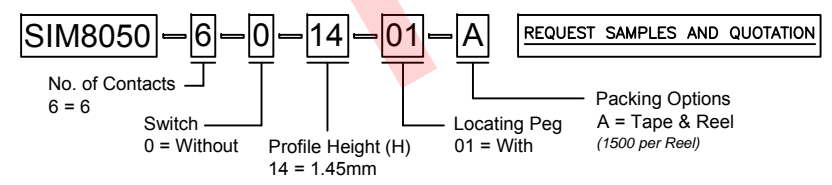
Electrical 电气规格:

Voltage Rating 电压额定值: 30V
Current Rating 电流额定值: 0.5A Max. 最大
Operating Temperature 工作温度: -20°C to +80°C
Dielectric Withstanding Voltage 耐电压: 200V AC (60Sec Min. 60秒最小)
Insulation Resistance 绝缘电阻: 100MΩ Min. 最小. (Apply 施加 500VDC)
Contact Resistance 接触电阻: 100mΩ Max. 最大



Reference

Ordering Grid



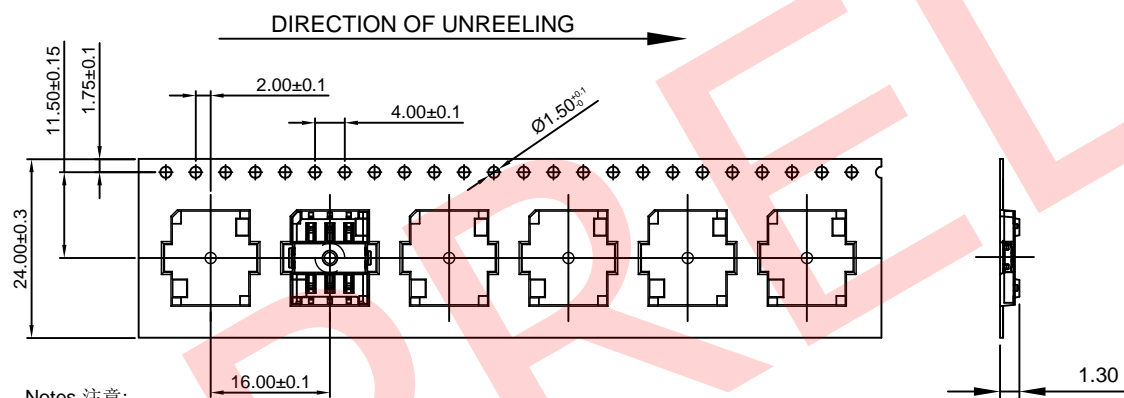
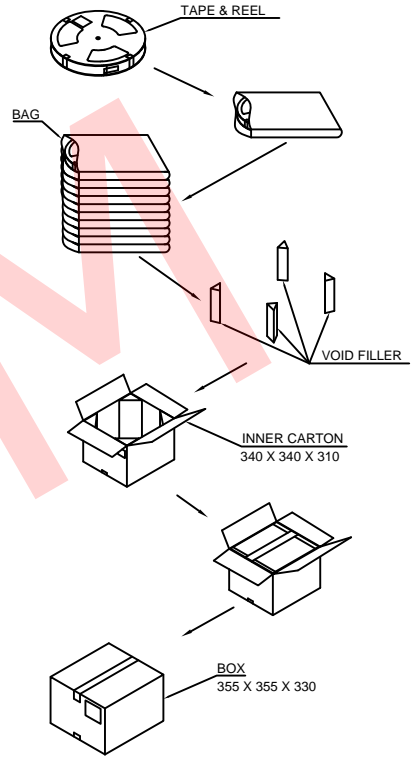
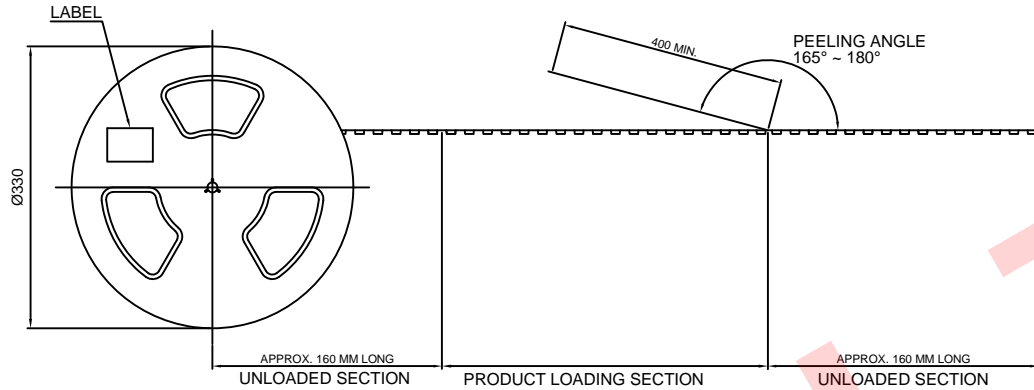
By	AJO
DETAIL	PRELIM
REV DATE	0.4 19/04/13



Tolerances (Except as noted)		Part Number:-	Date:-
Dimensions in mm		SIM8050	19 APR 13
X ± 0.50	ANGLE	Description:-	
X.X ± 0.25	± 3°	Nano SIM Card Connector, Push-Pull	
X.XX ± 0.15		Type, 6 Pin, SMT, Profile 1.45mm	
X.XXX ± 0.10		© THIS DRAWING IS CONFIDENTIAL AND MUST NOT BE COPIED OR DISCLOSED WITHOUT WRITTEN CONSENT	
Third Angle Projection		Scale NTS	Revision 0.4
		Material See Note	Drawn by AJO
		E & OE	Sheet No. 1/2

GCT
www.gct.co

28.5
24.5



Products P/N	PCS/Reel	Reels/Carton	PCS/Carton
SIM8050	1500	10	15000

Notes 注意:
 Material 材质要求:
 Box 箱: Fibreboard 瓦楞纸板 Double Wall 双壁,
 Tape 带子: Polystyrene 聚苯乙烯, Black 黑色
 Heat Resistant Temperature 耐热温度: 120°C
 Reel 卷筒: Polystyrene 聚苯乙烯, Blue 蓝色
 Heat Resistant Temperature 耐热温度: 70°C
 Bag 包: Polyethylene 聚乙烯 Heat Resistant Temperature 耐热温度: 100°C

Packing Spec 包装要求:
 1. Peeling strength 剥离强度: 0.1N~1.3N (10~130grams)
 2. Peeling Speed 剥离速度: 300 mm/min
 3. Each bag will include desiccant. 每个包装包括干燥剂

By	AJO
DETAIL	PRELIM
REV DATE	0.4 19/04/13



Tolerances (Except as noted)		Part Number:- SIM8050	Date:- 19 APR 13
Dimensions in mm		Description:- Nano SIM Card Connector, Push-Pull Type, 6 Pin, SMT, Profile 1.45mm	
X. ± 0.30	ANGLE	© THIS DRAWING IS CONFIDENTIAL AND MUST NOT BE COPIED OR DISCLOSED WITHOUT WRITTEN CONSENT	
X.X ± 0.20	± 2°		
X.XX ± 0.10			
X.XXX ± 0.05			
Third Angle Projection		Scale NTS	Revision 0.4

GCT
www.gct.co

Material See Note	Drawn by AJO	E & OE	Sheet No. 2/2
----------------------	-----------------	--------	------------------