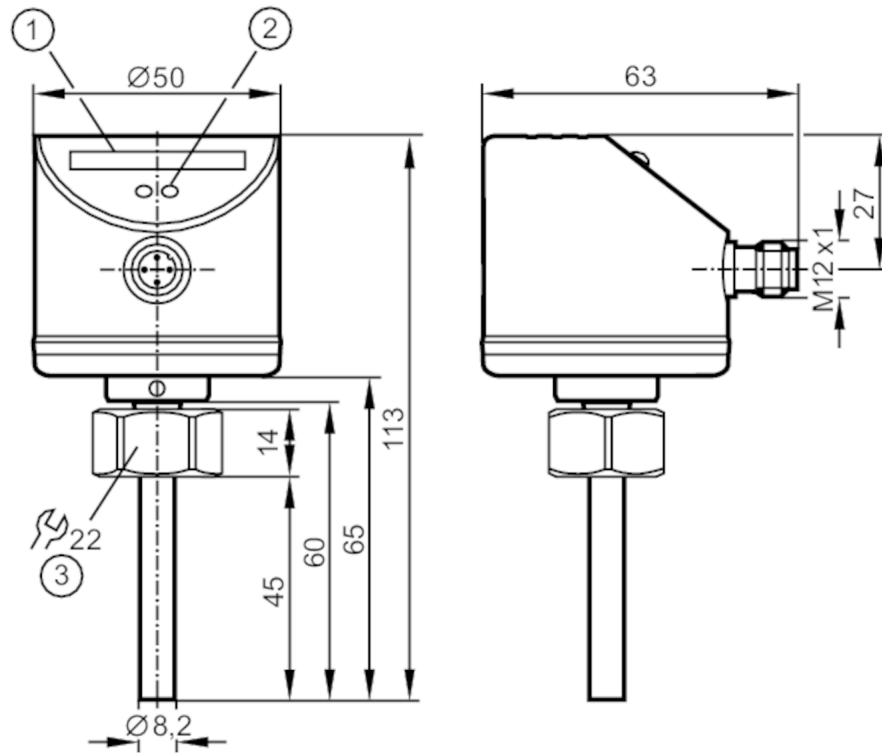


SI5004



Flow transmitter

SID10ADB100G/



- 1 LED display
- 2 setting pushbutton
- 3 Tightening torque 25 Nm



Product characteristics

Number of inputs and outputs	Number of analog outputs: 1
Process connection	M18 x 1,5 Internal thread

Application

Media	Liquids
Medium temperature [°C]	-25...80
Pressure rating [bar]	300
MAWP (for applications according to CRN) [bar]	208

Liquids

Medium temperature [°C]	-25...80
-------------------------	----------

Electrical data

Operating voltage [V]	19...36 DC
Current consumption [mA]	< 60
Protection class	III
Reverse polarity protection	yes
Power-on delay time [s]	10

Inputs / outputs

Number of inputs and outputs	Number of analog outputs: 1
------------------------------	-----------------------------

SI5004



Flow transmitter

SID10ADB100G/

Outputs		
Total number of outputs		1
Output signal		analog signal
Number of analog outputs		1
Analog current output	[mA]	4...20
Max. load	[Ω]	500
Overload protection		yes
Measuring/setting range		
Liquids		
Setting range	[cm/s]	3...300
Greatest sensitivity	[cm/s]	3...100
Accuracy / deviations		
Repeatability	[cm/s]	1...5
Note on repeatability		for water 5...100 cm/s; 25 °C Factory setting
Temperature drift	[cm/s x 1/K]	0.1; (for water 5...100 cm/s; 10...70 °C)
Measuring error	[% of the final value]	± 2...± 10
Reaction times		
Response time	[s]	1...10
Liquids		
Response time	[s]	1...10
Operating conditions		
Ambient temperature	[°C]	-25...80
Storage temperature	[°C]	-25...100
Protection		IP 67
Tests / approvals		
EMC	DIN EN 61000-6-2	
	DIN EN 61000-6-3	
Shock resistance	DIN EN 60068-2-27	50 g (11 ms)
Vibration resistance	DIN EN 60068-2-6	20 g (55...2000 Hz)
MTTF	[years]	259
Mechanical data		
Weight	[g]	247.5
Dimensions	[mm]	M18 x 1.5
Thread designation		M18 x 1.5
Material		stainless steel (1.4404 / 316L); stainless steel (1.4301 / 304); PC; PBT-GF20; EPDM/X
Materials (wetted parts)		stainless steel (1.4404 / 316L); O-ring: FKM 80 Shore A
Process connection		M18 x 1,5 Internal thread
Displays / operating elements		
Display	Function	10 x LED, three-color
Remarks		
Pack quantity		1 pcs.

SI5004



Flow transmitter

SID10ADB100G/

Electrical connection

Connector: 1 x M12



Connection

