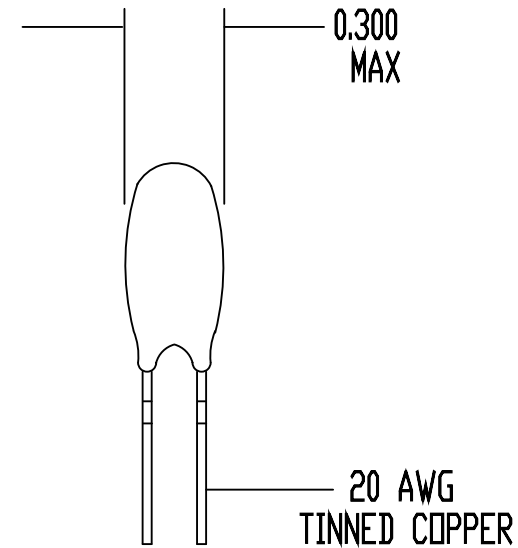
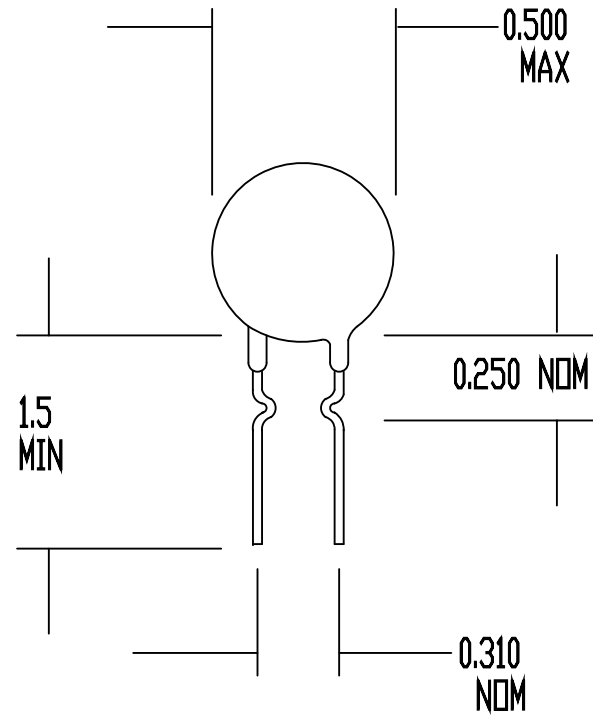



| REV | DATE     | ECO# |
|-----|----------|------|
| A   | 12/14/92 | 1232 |
|     |          |      |

DRAWING NOT TO SCALE  
ALL DIMENSIONS IN INCHES



**SPECIFICATIONS:**

RESISTANCE AT 25 DEG C = 25 OHMS +/- 25%  
 MAXIMUM CONTINUOUS CURRENT (I<sub>max</sub>) = 2.4 AMPS  
 RESISTANCE AT I<sub>max</sub> = 0.40 OHMS NOMINAL  
 MAXIMUM VOLTAGE RATING = 265 VAC (RMS)  
 MAXIMUM SURGE RATING = 30 JOULES  
 ENCAPSULATION = SILICONE RESIN  
 MARKING = OPTIONAL  
 LEADS = RODAN P/N STL-209-32

|                    |                |  |
|--------------------|----------------|--|
| DRAWN BY D. NGUYEN |                | <br><b>Circuit Protection Thermistors</b> |
| DATE 11/05/90      | ORIG. F. TISED |  |
| REV A              | APP            | SURGE-GARD<br>INRUSH CURRENT LIMITER   |
| SHEET 1 OF 1       |                | SG342  |