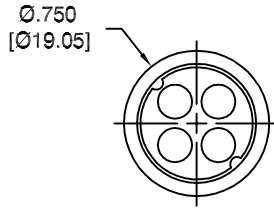
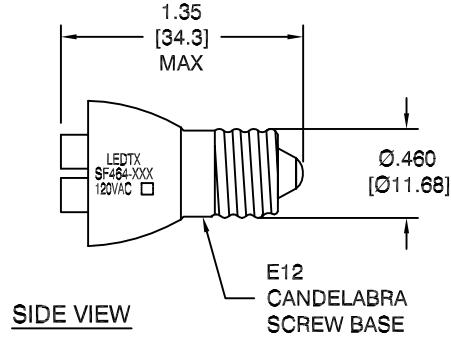


LTR	REVISION	DATE	APPD
A	030519-HF01: ADDED P/N: SF464-OUR-120A	03-05-19	HF

SF464-XXX-120A

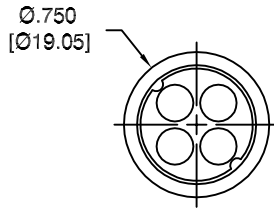


TOP VIEW

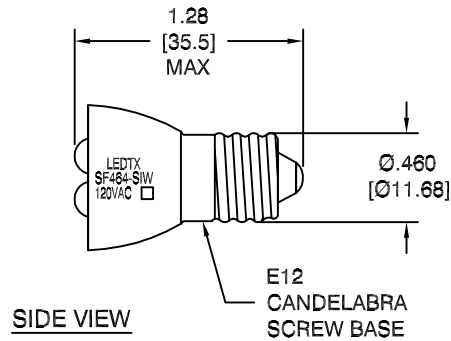


SIDE VIEW

SF464-SIW-120A



TOP VIEW



SIDE VIEW



NOTES:

1. ALL DIMENSIONS ARE IN INCHES [MILLIMETERS].
2. SLEEVE MATERIAL: RYNITE FR530
3. BASE MATERIAL: BRASS, NICKEL PLATED BRASS
4. OPERATING TEMPERATURE: ~-30°C TO ~+50°C

REVISION NOTIFICATION	
<input type="checkbox"/>	DLC
<input type="checkbox"/>	UL/ETL
<input type="checkbox"/>	MADE IN USA
<input type="checkbox"/>	CUSTOMER _____
<input type="checkbox"/>	OTHER _____
REDLINE CHECKLIST	
<input type="checkbox"/>	REDLINE(YES)
<input type="checkbox"/>	DATE: _____
<input type="checkbox"/>	INITIATED BY: _____
<input type="checkbox"/>	ECR REQUIRED YES <input type="checkbox"/> NO <input type="checkbox"/>
<input type="checkbox"/>	WORK ORDER# _____

ELECTRICAL-OPTICAL CHARACTERISTICS (Ta = 25°C)

SF464-0CW-120A	COOL WHITE	120Vac	0.0075 A	0.57 W	1.62 cd	-	7000K-9000K	90°	AC VOLTAGE
SF464-0UR-120A	ULTRA RED	120Vac	0.008 A	0.58 W	0.200 cd	-	654	95°	AC VOLTAGE
SF464-SIW-120A	WARM WHITE	120Vac	0.007 A	0.50 W	2.5 cd	68-70	2900K-3100K	105°	AC VOLTAGE
LEDTRONICS PART NO.	COLOR EMITTED	INPUT VOLTAGE, V (typ)	CURRENT (A)	POWER (W)	MAXIMUM CANDELA	CRI	λ P nm	VIEWING ANGLE (FULL BEAM WIDTH @ 50% INTENSITY)	CENTER CONTACT POLARITY
							COLOR TEMP. (K)		

 LEDTRONICS,™ INC. 23105 KASHIWA COURT TORRANCE, CA 90505	-PROPRIETARY- This document contains Proprietary Information of LEDTRONICS, INC. It may not be copied, used or disclosed for any purpose without the prior express written consent of LEDTRONICS, INC.		TITLE SF464-XXW-120A								
	.XXX ± .010 TOLERANCE PER ANSI-Y14.5 .XX ± .025 (UNLESS OTHERWISE STATED) ANGLES ± 0°,30' FRACT. ± 1/32	DWG NO SF464-120VAC	SCALE 1:1	SHEET 1 OF 1	DATE 12-19-12	CODE IDENT NO. 8Z410	DWG BY GP 12-19-12	CHK BY	QA SB 09-11-19	MFG LD 09-11-19	R&D UF 09-11-19