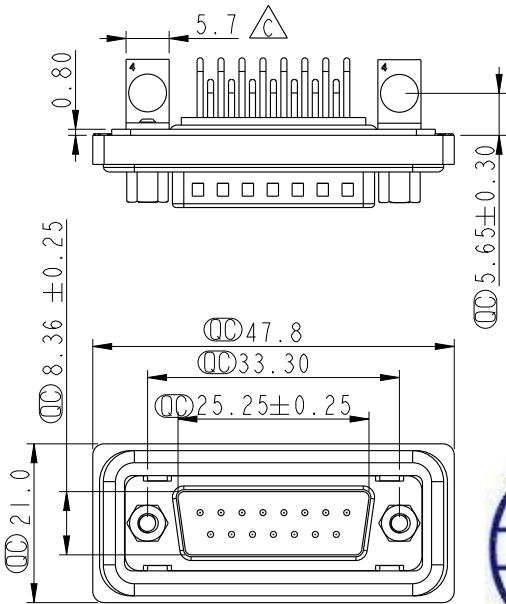
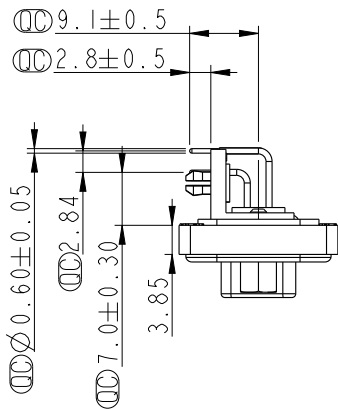
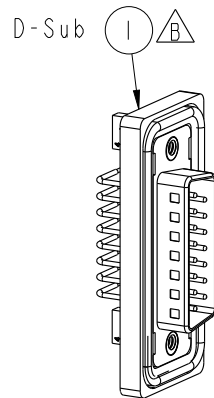


ALTW
CONFIDENTIAL
 2013-06-10
R&D DEPT.

REV.	ECN NO.	DATE	SIGN	DESCRIPTION
A		2006/02/22	DAVID	Released Rev.A
B	LE3-710136	2006/12/14	DongYaLi	Change DOR00235170 To DOR00010015 And Move DOR00010015 To ZSE00100545
C	LEN1390084	2013/6/10	Tony_leng	Change Dimensions



Panel Thickness
 面板厚度

X (MAX.)

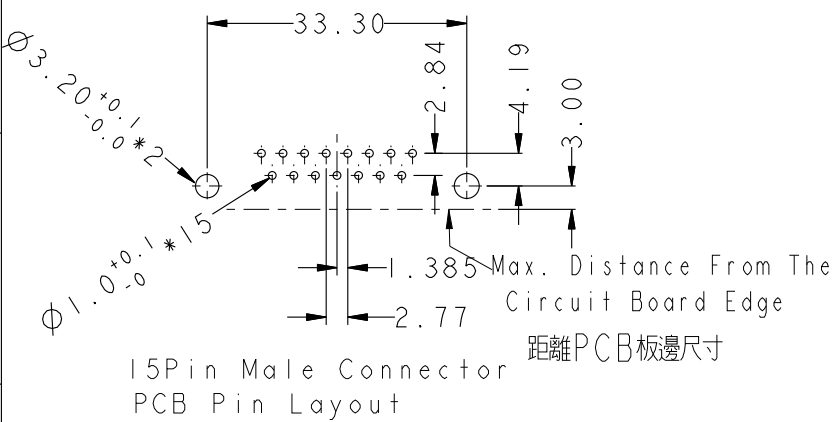
Screw L=5.0 For Panel Thickness Under 1.2mm

適用板厚 1.2mm 以下

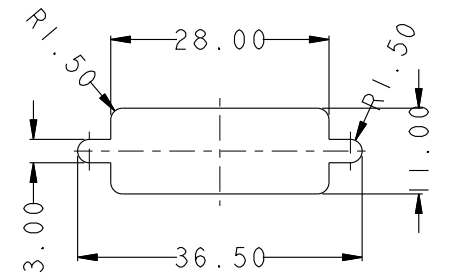
Screw L=6.0 For Panel Thickness Between 1.2~2.0mm

適用板厚 1.2~2.0mm 以下

ALTW
 DCC. DEPT.
 CONFIDENTIAL
 2013.09.05
 ISSUED



- Note:
- * \varnothing Important Dimension.
 - * Waterproof Rate : IP68
 IP68: 1M of depth of water 24 hours
 (防水等級: IP68)
 (IP68: 1米水深24小時)
 - * Do Mating Test After Glued
 點膠後, 須作對插測試
 - * D-SUB Conn. : Black Core, PBT
 - * Plastic Jacket : Black, Nylon+GF
 - * Pin: Copper Alloy, Gold Plated
 - * Ring: Light Blue, Silicone
 - * Screw: Copper Alloy, Nickel Plated, #4-40 UNC
 - * The 90° Board Lock Needs To Connect The Iron Shell
 L型支架需接鐵殼



Recommended Panel Cut-Out
 建議挖孔尺寸

UNIT: mm			TITLE DB15/M Conn., Panel, PCB 90 Add Board Lock
TOLERANCE .X ±0.25 .XX ±0.1 .XXX ±0.05 ANGLES ±1°	SCALE 1:1	SIZE A4	SHEET 1 OF 1
	REV. C	WC-REV. A.4	\varnothing : Inspection item

Amphenol LTW
 安費諾亮泰企業股份有限公司

ITEM NO. SDB-15PMMP-SB8001	DRAWN BY SamChang	DATE 2013-06-10
DWG NO. SDB-15PMMP-SB8001	CHECKED BY Yulong	DATE 2013-06-10
CUSTOMER ALTW	APPROVED BY Victor	DATE 2013-06-10

THIS DOCUMENT IS SUBJECT TO CHANGE WITHOUT NOTICE. IT IS CONFIDENTIAL AND A PROPERTY OF Amphenol LTW. DISCLOSURE TO THIRD PARTY HAS TO BE AUTHORIZED BY Amphenol LTW.