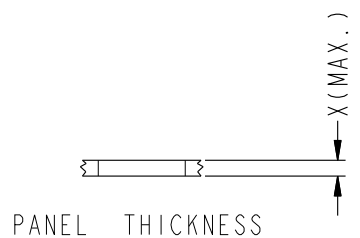
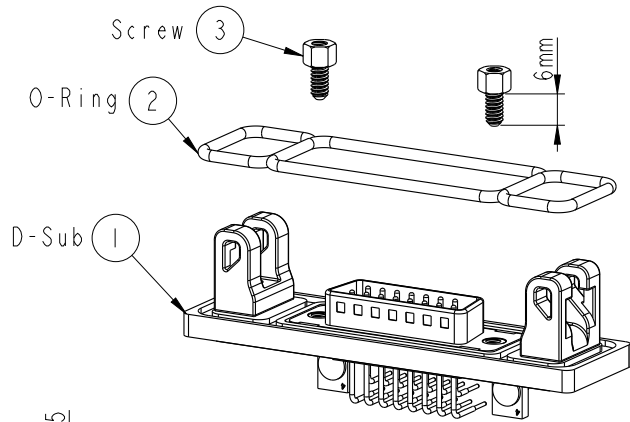
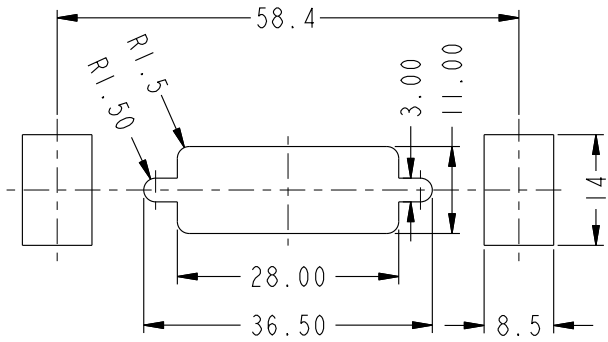
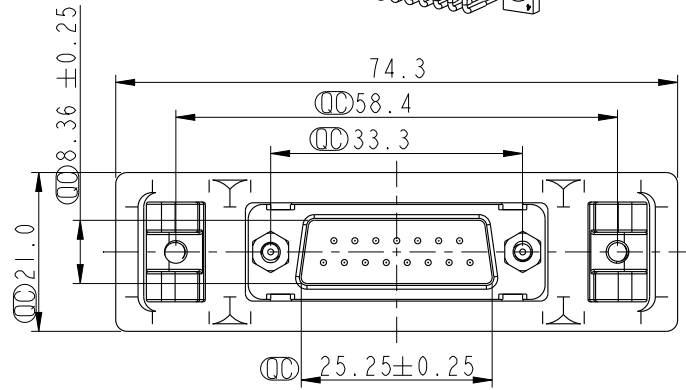
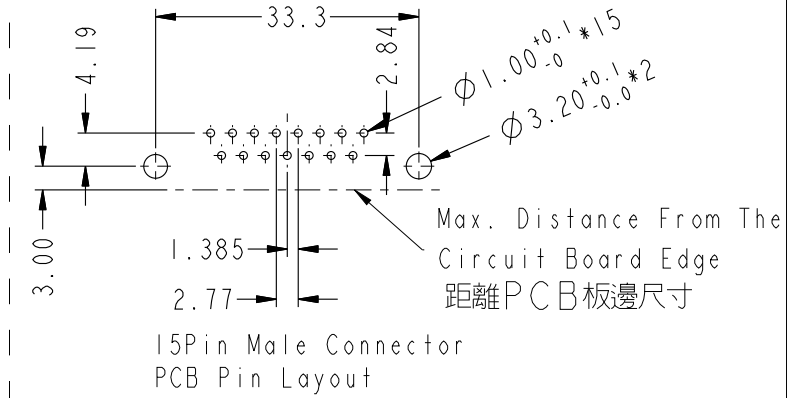


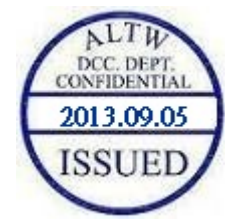
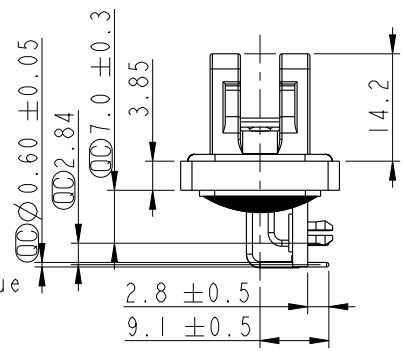
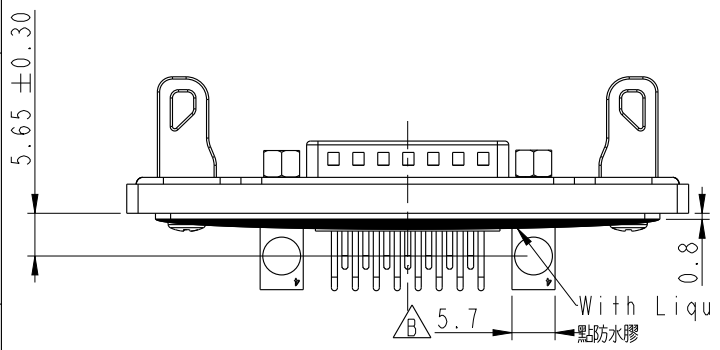
REV.	ECN NO.	DATE	SIGN	DESCRIPTION
B	LEN1390083	2013/05/25	Tony_leng	Change 5.5 To 5.7



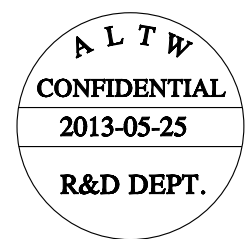
PANEL THICKNESS
Screw L=6.0 For Panel Thickness
Between 1.2~2.0mm



RECOMMENDED PANEL CUT-OUT



NOTE:
 * ϕ Important Dimension.
 * Materials:
 Panel : Zinc
 Panel Link : Zinc
 Screw : Stainless, #4-40 UNC
 O-Ring : Silicone Black
 Insulator : PBT
 Shell : Cold Rolled Steel
 Contact : Copper Alloy
 Board Lock : Copper Alloy
 * Finishes:
 Panel : Nickel Plated
 Panel Link : Nickel Plated
 Board Lock : Nickel Plated
 Shell : Nickel Plated
 Contact : Gold Flash
 * Waterproof Rate : IP68
 IP68: 1M of depth of water 24 hours



UNIT: mm			TITLE D-SUB CONN PANEL QUICK DB15P M CONN M PIN		
TOLERANCE	.X ±0.25	.XX ±0.1	SCALE 1:1	SIZE A4	SHEET 1 OF 1
ANGLES	.XXX ±0.05	±1°	REV. B	WC-REV. A.4	ϕ : Inspection item

Amphenol LTW
安費諾亮泰企業股份有限公司

ITEM NO. SDB-15PMMP-QB8001	DRAWN BY Tony_leng	DATE 2013-05-25
DWG NO. SDB-15PMMP-QB8001	CHECKED BY Yulong	DATE 2013-05-25
CUSTOMER ALTW	APPROVED BY Victor	DATE 2013-05-25

THIS DOCUMENT IS SUBJECT TO CHANGE WITHOUT NOTICE. IT IS CONFIDENTIAL AND A PROPERTY OF Amphenol LTW. DISCLOSURE TO THIRD PARTY HAS TO BE AUTHORIZED BY Amphenol LTW.