

Data Sheet

SC305xxHBNN

Page 1/6

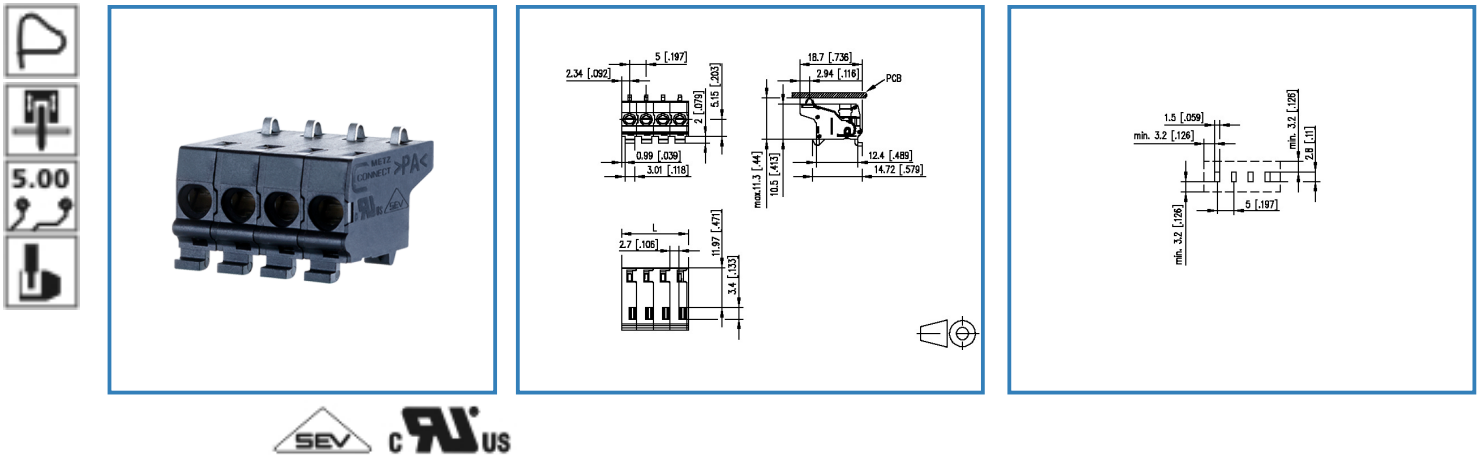
P/N

SC305xxHBNN

xx=number of poles

2017/01/25

Illustration



see enlarged drawing at the end of the document

Product specification

- spring clamp terminal block, pluggable
- centerline 5.00 mm, direction of connection vertical 0°
- color black

Data Sheet

SC305xxHBNN

Page 2/6

P/N

SC305xxHBNN

xx=number of poles

2017/01/25

Technical Data




General Data

min. number of poles	2		
max. number of poles	12		
Insulating material class	CTI 600		
clearance/creepage dist.	3.2 mm		
protection category	IP 00		
Overvoltage category	III	III	II
Pollution degree	3	2	2
Rated voltage	250 V	630 V	630 V
Rated test voltage	4.0 kV	4.0 kV	4 kV

Connection data

Rated wiring solid wire	0.08 - 1.5 mm ² / AWG 28 - 16
Rated wiring stranded wire	0.08 - 1.5 mm ² / AWG 28 - 16

Approvals

 V / A / AWG	300 / 4 / 28 - 16
	4 A / 250 V / 4 kV / 3 / IEC 61984 / 0.08 - 1.5 mm ²
	T60 / 250 V / 4 A / 3 / IEC 61984 / 1.5 mm ²

Material

insulating material	PA46
flammability class	V0
spring material	Spring steel
contact material	CuSn
Glow-Wire Flammability GWFI	-
Glow-Wire Flammability GWIT	-
contact surface	Sn

Climatic properties

upper limit temperature	105 °C
lower limit temperature	-40 °C

General

Tolerance	ISO 2768 -mH
-----------	--------------

Data Sheet

SC305xxHBNN

Page 3/6

P/N

SC305xxHBNN

xx=number of poles

2017/01/25

Safety instructions

-
1. Disconnect device from mains before opening, because of exposed contacts
 2. Housing cutout to lock the terminal block must be insulating
-



Data Sheet

SC305xxHBNN

Page 4/6

P/N

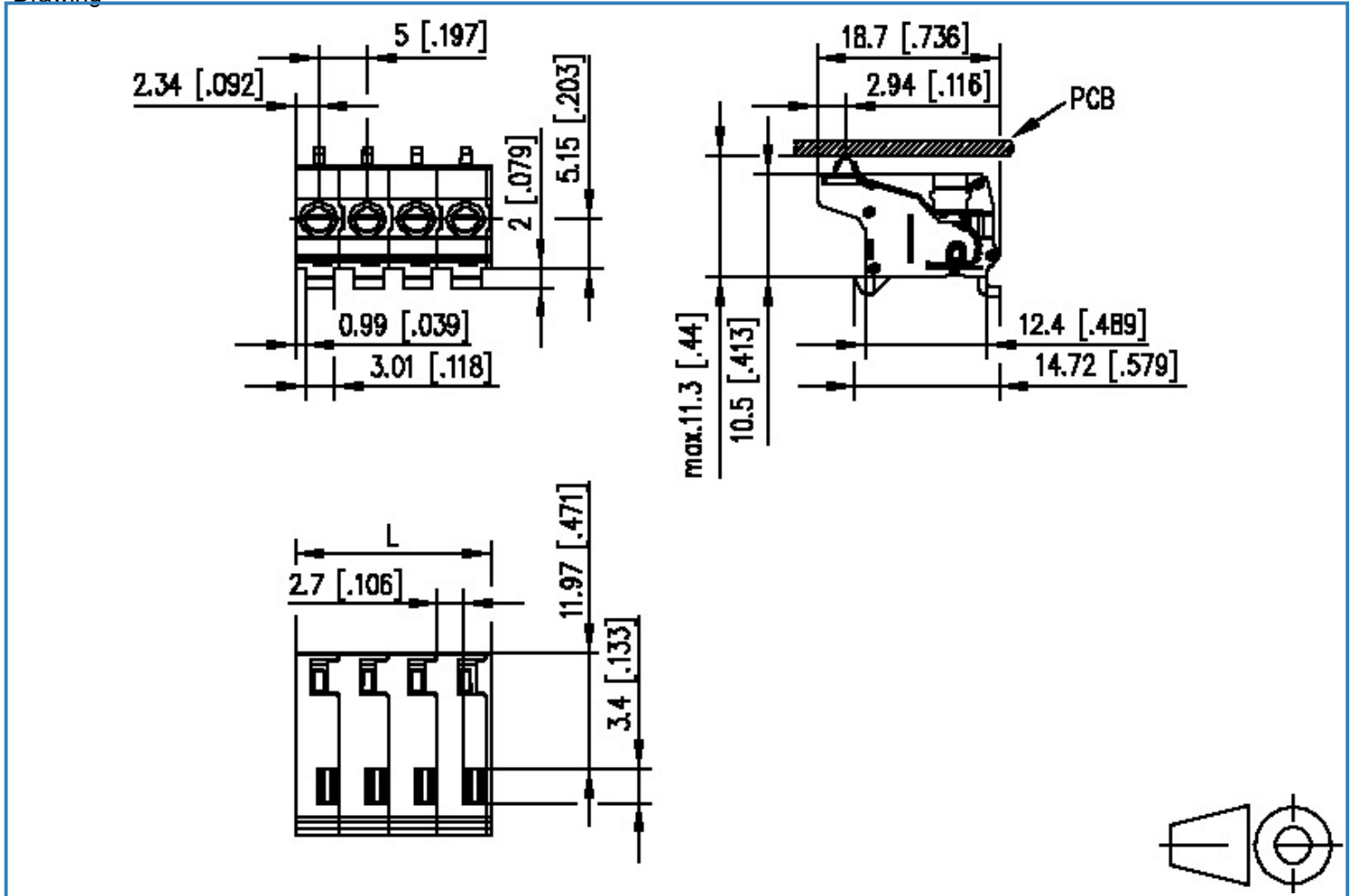
SC305xxHBNN

xx=number of poles

2017/01/25

Illustration

Drawing



$L = (\text{pole size} - 1) \times \text{centerline} + 5 [0.197]$



Data Sheet

SC305xxHBNN

Page 5/6

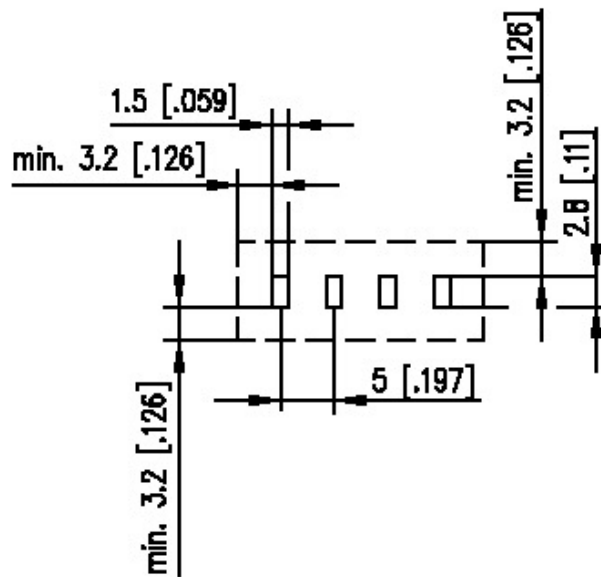
P/N

SC305xxHBNN

xx=number of poles

2017/01/25

PCB Layout



Data Sheet

SC305xxHBNN

Page 6/6

P/N

SC305xxHBNN

xx=number of poles

2017/01/25

