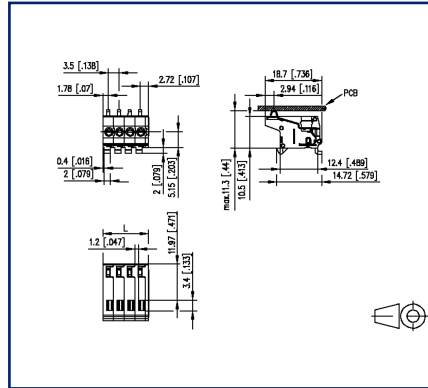


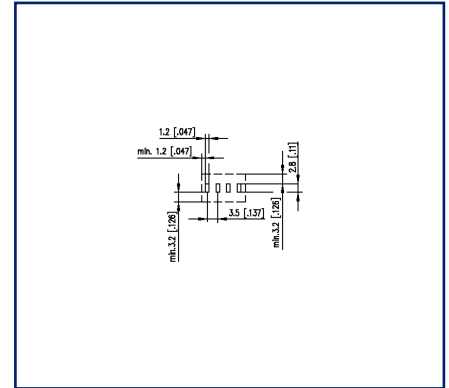
Illustrations



Dimensional drawing



Drill pattern



See enlarged drawings at the end of document

Product specification

- spring clamp terminal block, pluggable
- centerline 3.50 mm, direction of connection 90°
- color black

## Technical Data



### General Data

min. number of poles	2		
max. number of poles	12		
Insulating material class	CTI 600		
clearance/creepage dist.	2.4 mm		
Protection category	IP00		
Min. insul. strip length	7.5 mm		
Rated current	4 A		
Overvoltage category	III	III	II
Pollution degree	3	2	2
Rated voltage	160 V	400 V	400 V
Rated test voltage	2.5 kV	2.5 kV	2.5 kV

### Anschlussdaten

rat.wiring solid AWGmax	0.08 mm <sup>2</sup> - 1.5 mm <sup>2</sup> / AWG 28 - AWG 16		
rat.wiring strand.AWGmax	0.08 mm <sup>2</sup> - 1.5 mm <sup>2</sup> / AWG 28 - AWG 16		

### Approvals

 V / A / AWG	150 / 4 / 28 - 16		
approval UL - File No.	E121004		
 1.5 mm <sup>2</sup>	T60 / 130 V / 4 A / 3 /		

### Material

insulating material	PPA
flammability class	V0
spring material	Spring steel
contact material	CuSn
Contact surface	Sn
Glow-Wire Flammability GWFI	960 °C acc. to IEC 60695-2-12
Glow-Wire Flammability GWIT	800 °C acc. to IEC 60695-2-13

### Climatic Data

upper limit temperature	105 °C
lower limit temperature	-40 °C

### general

Tolerance	ISO 2768 -mH
-----------	--------------

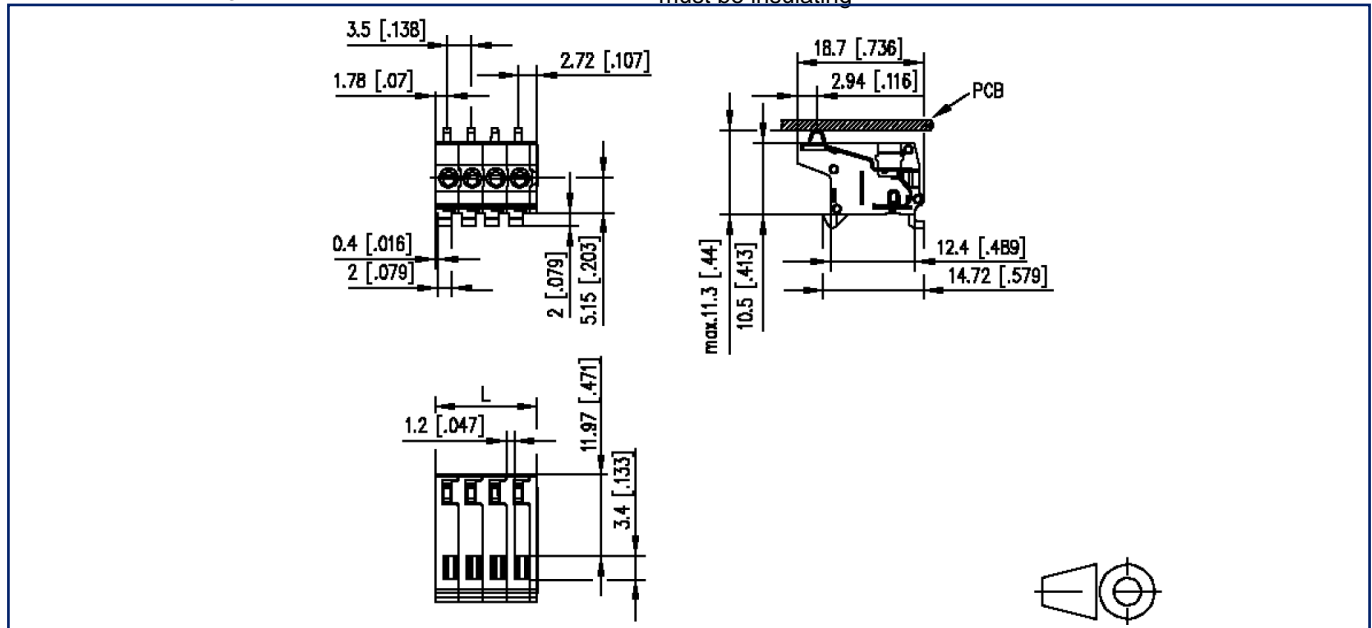
### Sicherheitshinweis

Safety instructions	1. Disconnect device from mains before opening, because of exposed contacts 2. Housing cutout to lock the terminal block
---------------------	---

**Technical Data**

Dimensional drawing

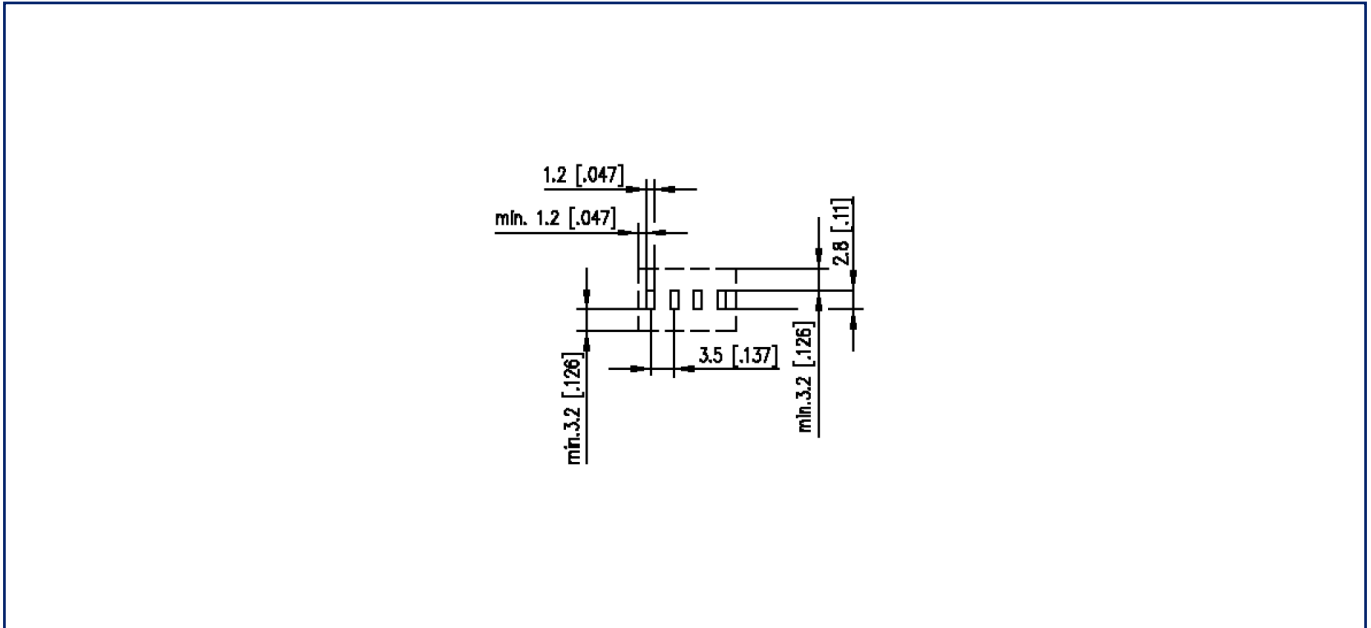
must be insulating



$L = (\text{pole size} - 1) \times \text{centerline} + 4.5 \text{ mm} [0.177]$

**Illustrations**

Drill pattern



Application example

