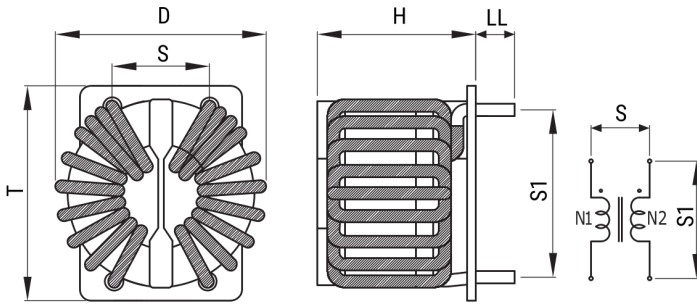


## SC-15-E50JH

Aliases (UALSC15E50JH00)

KEMET, SC-JH, AC Line Filters, Common Mode, 5.2 mH



Click [here](#) for the 3D model.

### Dimensions

D	42mm MAX
T	41mm MAX
H	30mm MAX
LL	5mm +/-2mm
S	17mm NOM
S1	30mm NOM
Wire Size	1.5mm

### Packaging Specifications

Packaging	Tray
Packaging Quantity	100
Typical Component Weight	83.8 g

### General Information

Series	SC-JH
Style	Through-Hole
RoHS	Yes
Notes	Lead Spacing (S/S1) Are For Reference Only.
Miscellaneous	Temperature Rise Maximum: 85 K.
Core	Mn-Zn Ferrite

### Specifications

Voltage AC	250 VAC
Inductance	5.2 mH (10 kHz)
Current	15 A
Temperature Range	-40/+120°C
DC Resistance	19.3 mOhms