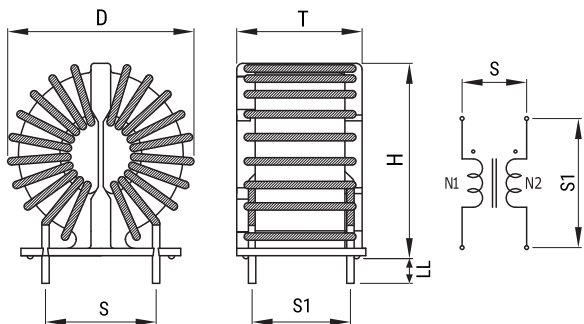


**KEMET Part Number: SC-10-20J**  
(UALSC1020J0000)

KEMET, SC-J, AC Line Filters, Common Mode, 2000  $\mu$ H



Dimensions	
D	42mm MAX
T	29mm MAX
H	44mm MAX
LL	5mm +/-2mm
S	18mm NOM

Packaging Specifications	
Packaging:	Tray
Packaging Quantity:	160
Weight:	70 g

General Information	
Series:	SC-J
Style:	Through-Hole
RoHS:	Yes
Notes:	Lead Spacing (S/S1) Are For Reference Only.
Miscellaneous:	Temperature Rise Maximum: 50 K

Specifications	
Voltage AC:	250 VAC
Inductance:	2 mH (100 kHz)
Current:	10 A
Temperature Range:	-25/+105°C
DC Resistance:	22 mOhms