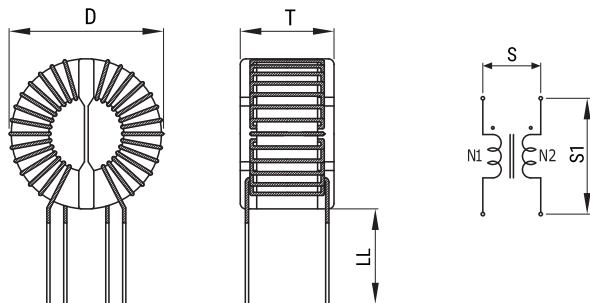


**KEMET Part Number: SC-02-10G**  
(UALSC0210G0000)

KEMET, SC-G/GS, AC Line Filters, Common Mode, 1000 uH



**Dimensions**

|           |             |
|-----------|-------------|
| <b>D</b>  | 17.5mm MAX  |
| <b>T</b>  | 14mm MAX    |
| <b>LL</b> | 15mm +/-2mm |
| <b>S</b>  | 8mm NOM     |

**Packaging Specifications**

|                            |      |
|----------------------------|------|
| <b>Packaging:</b>          | Tray |
| <b>Packaging Quantity:</b> | 1300 |
| <b>Weight:</b>             | 7 g  |

**General Information**

|                       |   |
|-----------------------|---|
| <b>Series:</b>        | SC-G/GS                                     |
| <b>Style:</b>         | Through-Hole                                |
| <b>RoHS:</b>          | Yes   |
| <b>Notes:</b>         | Lead Spacing (S/S1) Are For Reference Only. |
| <b>Miscellaneous:</b> | Temperature Rise Maximum: 40 K              |

**Specifications**

|                           |                |
|---------------------------|----------------|
| <b>Voltage AC:</b>        | 250 VAC        |
| <b>Inductance:</b>        | 1 mH (100 kHz) |
| <b>Current:</b>           | 2 A            |
| <b>Temperature Range:</b> | -25/+105°C     |
| <b>DC Resistance:</b>     | 50 mOhms       |