

**50 dB Fixed Attenuator TNC Male To TNC Female  
 Directional Up To 18 GHz Rated To 50 Watts With  
 Black Aluminum Heatsink Body**

**Electrical Specifications\***

| Description       | Min | Typ | Max   | Units |
|-------------------|-----|-----|-------|-------|
| Frequency Range   | DC  |     | 18    | GHz   |
| Impedance         |     | 50  |       | Ohms  |
| Attenuation Value |     | 50  |       | dB    |
| Input Power       |     |     | 50    | Watts |
| Peak Power        |     |     | 500   | Watts |
| VSWR              |     |     | 1.6:1 |       |

\* Values at 25°C, sea level

**Specifications by Frequency**

| Description     | F1      | F2        | F3         | F4 | F5 | Units |
|-----------------|---------|-----------|------------|----|----|-------|
| Range           | DC to 6 | 6 to 12.4 | 12.4 to 18 |    |    | GHz   |
| VSWR            | 1.3:1   | 1.45:1    | 1.6:1      |    |    |       |
| Atten. Accuracy | ± 1.25  | ± 2       | ± 2.5      |    |    | dB    |

**Mechanical Specifications**

**Temperature**

Operating Range -55 to +125 deg C

**Size**

Length 4.01 in [101.85 mm]  
 Width 3 in [76.2 mm]  
 Height 3 in [76.2 mm]  
 Weight 1.796 lbs [814.65 g]

**Connectors**

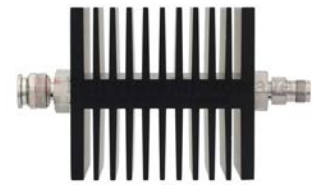
| Description                        | Connector 1                 | Connector 2                 |
|------------------------------------|-----------------------------|-----------------------------|
| Type                               | TNC Male                    | TNC Female                  |
| Contact Material & Plating         | Brass, Gold                 | Beryllium Copper, Gold      |
| Outer Conductor Material & Plating |                             | Stainless Steel, Passivated |
| Hex Size                           | 11/16 In.                   | 11/16 In.                   |
| Body Material & Plating            | Stainless Steel, Passivated | Stainless Steel, Passivated |

**Compliance Certifications** (visit [www.FairviewMicrowave.com](http://www.FairviewMicrowave.com) for current document)

**Plotted and Other Data**

Notes:

- Values at 25 °C, sea level
- OUTPUT PORT HANDLES 5 WATTS MAX POWER



**Features:**

- Design: Fixed, Directional Attenuator
- Connector 1: TNC Male
- Connector 2: TNC Female
- Body Material and Plating: Black Anodized Aluminum Heatsink

Fairview Microwave  
 1130 Junction Dr. #100  
 Allen, TX 75013  
 Tel: 1-800-715-4396 / (972) 649-6678  
 Fax: (972) 649-6689  
[www.fairviewmicrowave.com](http://www.fairviewmicrowave.com)  
[sales@fairviewmicrowave.com](mailto:sales@fairviewmicrowave.com)

50 dB Fixed Attenuator TNC Male To TNC Female Directional Up To 18 GHz Rated To 50 Watts With Black Aluminum Heatsink Body from Fairview Microwave is in-stock and available to ship same-day. All of our RF/microwave products are available off-the-shelf from our ISO 9001:2008 certified facilities in Allen, Texas. Fairview Microwave is RF on-demand.

For additional information on this product, please click the following link: [50 dB Fixed Attenuator TNC Male To TNC Female Directional Up To 18 GHz Rated To 50 Watts With Black Aluminum Heatsink Body SA18TMTF50W-50](#)

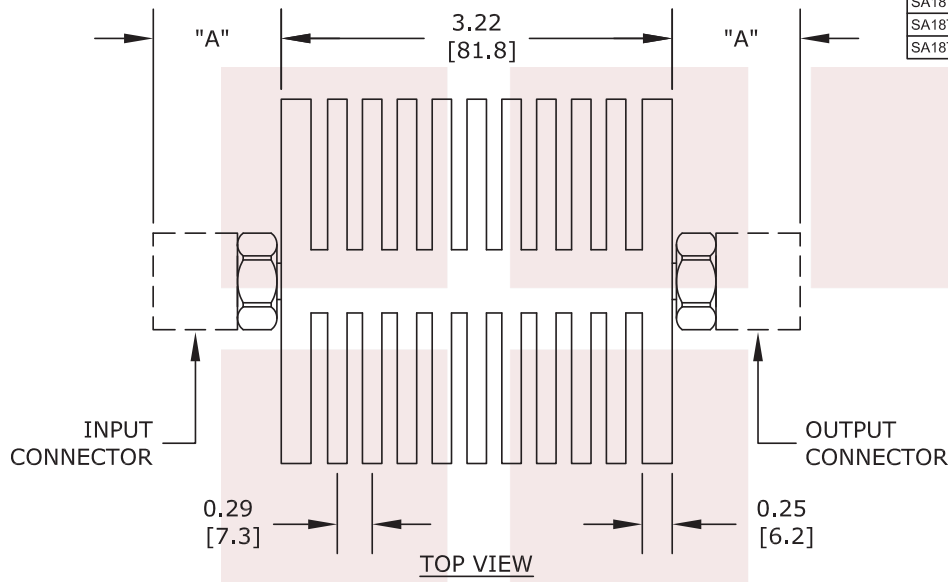
URL: <http://www.fairviewmicrowave.com/50db-fixed-attenuator-tnc-male-tnc-female-50-watts-sa18tmtf50w-50-p.aspx>

The information contained in this document is accurate to the best of our knowledge and representative of the part described herein. It may be necessary to make modifications to the part and/or the documentation of the part, in order to implement improvements. Fairview Microwave reserves the right to make such changes as required. Unless otherwise stated, all specifications are nominal. Fairview Microwave does not make any representation or warranty regarding the suitability of the part described herein for any particular purpose, and Fairview Microwave does not assume any liability arising out of the use of any part or documentation.

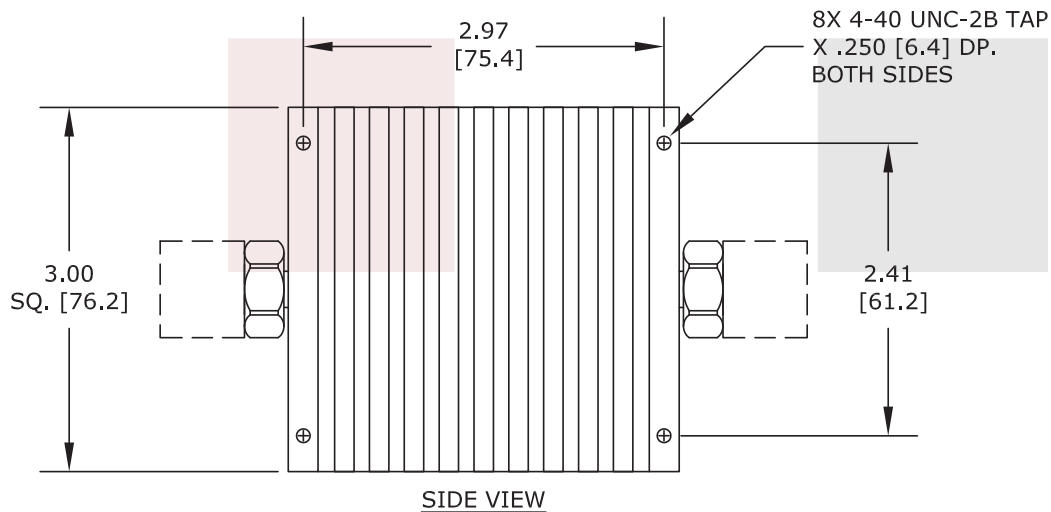


| Add to end of part number |             |
|---------------------------|-------------|
| - yy =                    | Attenuation |
| - 03                      | 3 dB        |
| - 06                      | 6 dB        |
| - 10                      | 10 dB       |
| - 20                      | 20 dB       |
| - 30                      | 30 dB       |
| - 40                      | 40 dB       |
| - 50                      | 50 dB       |
| - 60                      | 60 dB       |

| Part Number Configuration |                 |                  |
|---------------------------|-----------------|------------------|
| Part Number               | Input Connector | Output Connector |
| SA75DFDM50W               | 7/16 Female     | 7/16 Male        |
| SA75DMD50W                | 7/16 Male       | 7/16 Female      |
| SA75DFDF50W               | 7/16 Female     | 7/16 Female      |
| SA18NFM50W                | N Female        | N Male           |
| SA18NMNF50W               | N Male          | N Female         |
| SA18NFMF50W               | N Female        | N Female         |
| SA18SFSM50W               | SMA Female      | SMA Male         |
| SA18SMSF50W               | SMA Male        | SMA Female       |
| SA18SFSF50W               | SMA Female      | SMA Female       |
| SA18TFTM50W               | TNC Female      | TNC Male         |
| SA18TMTF50W               | TNC Male        | TNC Female       |
| SA18TFTF50W               | TNC Female      | TNC Female       |



| Table of Information |                |
|----------------------|----------------|
| Connector Type       | DIM "A" (REF.) |
| SMA Male             | 0.7800         |
| SMA Female           | 0.6300         |
| TNC Male             | 0.9600         |
| TNC Female           | 1.0600         |
| N Female             | 1.0900         |
| N Male               | 1.1300         |
| 7/16 Male            | 1.2800         |
| 7/16 Female          | 1.3200         |



|   |        |   |       |                    |             |
|---|--------|---|-------|--------------------|-------------|
| <b>FAIRVIEW MICROWAVE INC.</b><br>ALLEN, TX 75013 WWW.FAIRVIEWMICROWAVE.COM   |        | NOTES:<br>1. UNLESS OTHERWISE SPECIFIED ALL DIMENSIONS ARE NOMINAL.<br>2. ALL SPECIFICATIONS ARE SUBJECT TO CHANGE WITHOUT NOTICE AT ANY TIME.<br>3. DIMENSIONS ARE IN INCHES [mm]. |       |                    |             |
| TITLE<br>50 dB Fixed Attenuator TNC Male To TNC Female<br>Directional Up To 18 GHz Rated To 50 Watts With<br>Black Aluminum Heatsink Body |        | DWG NO<br>SA18XXX50w-yy   |       | CAGE CODE<br>3FKR5 |             |
| CAD FILE  | 063014 | SHEET   | SCALE | N/A                | SIZE A 2233 |