

S8060B ✓ ACTIVE

TE Internal #: S8060B

Antenna, M2M / IoT, N-Type Female, Cable Length 1.41 ft [.43 m],

External, Stick/Baton

[View on TE.com >](#)



Antennas > Base Station Antennas: Omnidirectional



Wireless Application: **IoT, M2M**

Antenna Connector Type: **N-Type Female**

Cable Length: **.43 m [1.41 ft]**

Antenna Style: **External**

Antenna Type: **Stick/Baton**

[All Base Station Antennas: Omnidirectional \(55\)](#)

Features

Product Type Features

Antenna Connector Type	N-Type Female
------------------------	---------------

Configuration Features

Number of Ports	1
Antenna Style	External
Antenna Type	Stick/Baton

Signal Characteristics

Gain (Max)	0 dB
Frequency Band	806 – 868 MHz

Dimensions

Cable Length	.43 m[1.41 ft]
--------------	----------------

Operation/Application

Coverage Type	Omnidirectional
---------------	-----------------

Industry Standards

Wireless Application	IoT, M2M
----------------------	----------

Product Compliance

[For compliance documentation, visit the product page on TE.com>](#)



EU RoHS Directive 2011/65/EU	Not Yet Reviewed
EU ELV Directive 2000/53/EC	Not Yet Reviewed
China RoHS 2 Directive MIIT Order No 32, 2016	Not reviewed for China RoHS compliance
EU REACH Regulation (EC) No. 1907/2006	Current ECHA Candidate List: JAN 2023 (233) Not Yet Reviewed
Halogen Content	Not Yet Reviewed for halogen content
Solder Process Capability	Not reviewed for solder process capability

Product Compliance Disclaimer

This information is provided based on reasonable inquiry of our suppliers and represents our current actual knowledge based on the information they provided. This information is subject to change. The part numbers that TE has identified as EU RoHS compliant have a maximum concentration of 0.1% by weight in homogenous materials for lead, hexavalent chromium, mercury, PBB, PBDE, DBP, BBP, DEHP, DIBP, and 0.01% for cadmium, or qualify for an exemption to these limits as defined in the Annexes of Directive 2011/65/EU (RoHS2). Finished electrical and electronic equipment products will be CE marked as required by Directive 2011/65/EU. Components may not be CE marked. Additionally, the part numbers that TE has identified as EU ELV compliant have a maximum concentration of 0.1% by weight in homogenous materials for lead, hexavalent chromium, and mercury, and 0.01% for cadmium, or qualify for an exemption to these limits as defined in the Annexes of Directive 2000/53/EC (ELV). Regarding the REACH Regulations, TE's information on SVHC in articles for this part number is still based on the European Chemical Agency (ECHA) 'Guidance on requirements for substances in articles' (Version: 2, April 2011), applying the 0.1% weight on weight concentration threshold at the finished product level. TE is aware of the European Court of Justice ruling of September 10th, 2015 also known as O5A (Once An Article Always An Article) stating that, in case of 'complex object', the threshold for a SVHC must be applied to both the product as a whole and simultaneously to each of the articles forming part of its composition. TE has evaluated this ruling based on the new ECHA "Guidance on requirements for substances in articles" (June 2017, version 4.0) and will be updating its statements accordingly.

Compatible Parts



TE Part # OC69421-FNF
OMNI,DBAND,FIXED,NF 698-4200MHz,1.5dBi

Customers Also Bought



TE Part #DT04-2P
REC, 2P, GRY, N



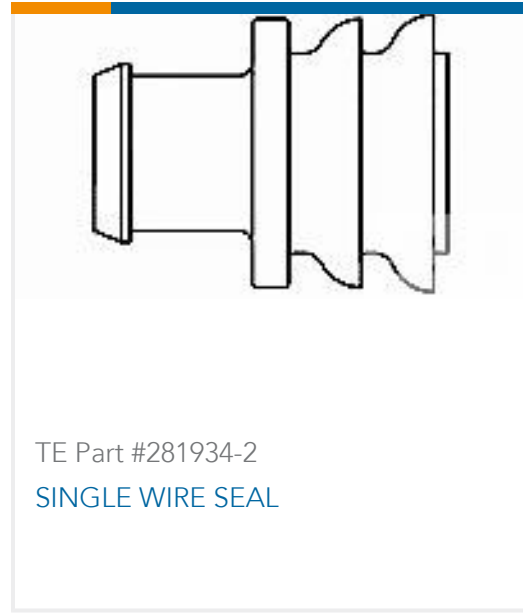
TE Part #W2S
Wedgelocks: DEUTSCH DT



TE Part #0462-201-16141
DEUTSCH Solid Contacts



TE Part #282104-1
AMP SUPERSEAL 1.5MM, CONNECTOR HOUSING



Documents

Datasheets & Catalog Pages

[Base Station Omni Antennas 800 MHz/900 MHz](#)

English