

S2D200-BA02-01

AC axial fan with guard grille for full nozzle straight blades (A series)



ebm-papst Mulfingen GmbH & Co. KG

Bachmühle 2

74673 Mulfingen

Phone: +49 7938 81-0

Fax: +49 7938 81-110

www.ebmpapst.com

info1@de.ebmpapst.com

Nominal data

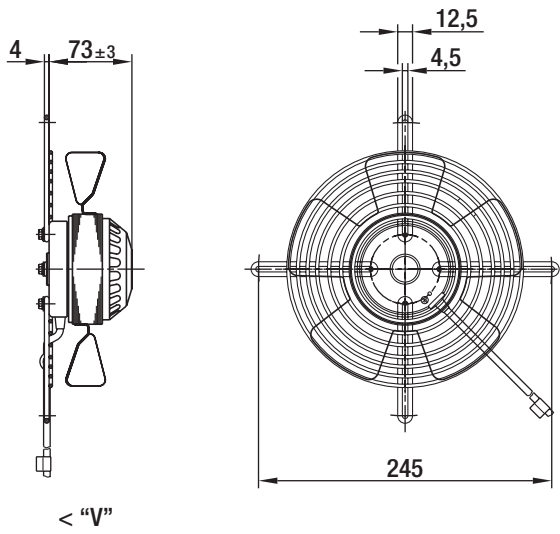
Type	S2D200-BA02-01			
Motor	M2D068-CF			
Phase		3~		3~
Nominal voltage	[V]	230	400	400
Connection		D	Y	Y
Frequency	[Hz]	50	50	60
Type of data definition		rfa	rfa	rfa
Valid for approval / standard		CE	CE	CE
Speed	[min ⁻¹]	2800	2800	3150
Power input	[W]	53	53	70
Current draw	[A]	0,26	0.15	0.14
Max. back pressure	[Pa]	200	200	300
Max. ambient temperature	[°C]	75	75	75
Air flow	[m ³ /h]	830	830	940
Back pressure	[Pa]	0	0	0
Sound pressure level	[dB(A)]	67	67	70

ml = max. load · me = max. efficiency · rfa = running at free air · cs = customer specs · cu = customer unit
Subject to alterations

Technical features

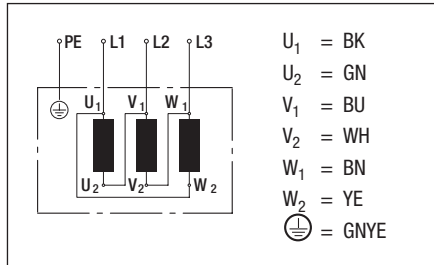
Size	200 mm
Operation mode	Continuous operation (S1)
Direction of rotation	Counter-clockwise, seen on rotor
Direction of air flow	"V"
Insulation class	"B"
Cable exit	Lateral
Bearing motor	Ball bearing
Mass	1.7 kg
Material of impeller	Sheet steel, coated in black
Number of blades	5
Type of protection	IP 44 - depending on position
Protection class	I

Product drawing

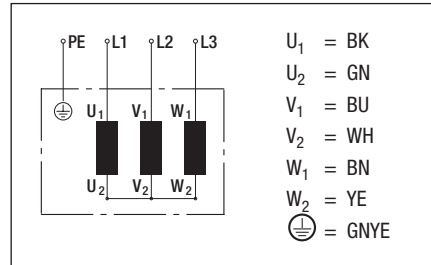


Connection screen

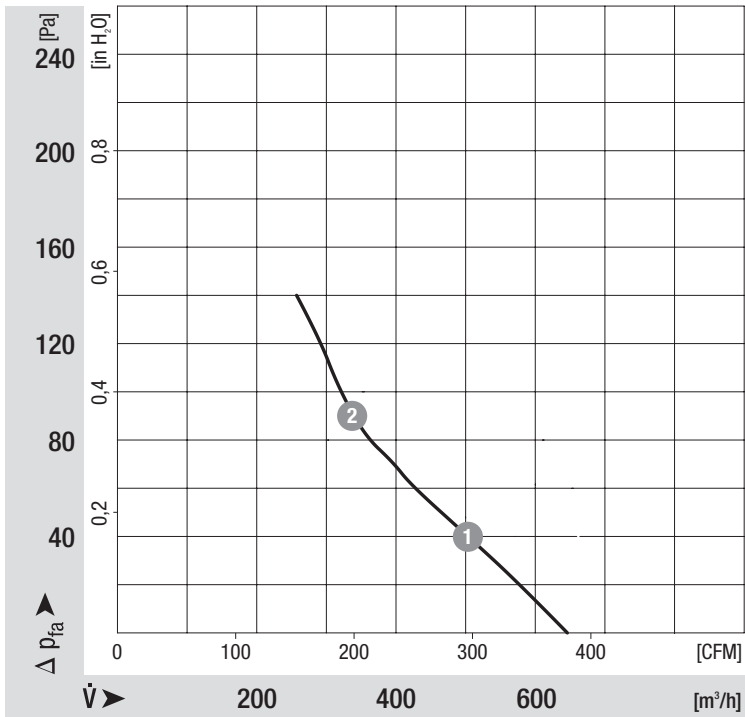
Delta (3~ 230 VAC)



Star (3~ 400 VAC)



Charts: Air flow 50 Hz



Measured values

	n	P ₁	I
	[min ⁻¹]	[W]	[A]
1	2785	53	0.15
2	2770	55	0.15

Charts: Air flow 60 Hz

