



RAYCHEM

TE Internal #: CJ8361-000

SolderSleeve Shield Terminators, 4.32 mm [.17 in] Expanded Inside, 2.16 mm [.085 in] Recovered Inside, Pre-Installed Lead, Immersion Protection

[View on TE.com >](#)

Wire Protection & Management > Interconnect Devices > SolderSleeve Shield Terminators



Operating Temperature (Max): **200 °C**

Expanded Inside Diameter (Min): **4.32 mm [.17 in]**

Recovered Inside Diameter (Max): **2.16 mm [.085 in]**

Pre-Installed Lead: **Yes**

Resistance Properties: **Immersion Protection**

Features

Configuration Features

Pre-Installed Lead	Yes
--------------------	-----

Dimensions

Expanded Inside Diameter (Min)	4.32 mm [.17 in]
Recovered Inside Diameter (Max)	2.16 mm [.085 in]

Usage Conditions

Operating Temperature (Max)	200 °C
Resistance Properties	Immersion Protection
Wire Temperature (Max)	150 °C

Product Compliance

[For compliance documentation, visit the product page on TE.com>](#)

EU RoHS Directive 2011/65/EU	Compliant
EU ELV Directive 2000/53/EC	Compliant
China RoHS 2 Directive MIIT Order No 32, 2016	No Restricted Materials Above Threshold
EU REACH Regulation (EC) No. 1907/2006	Current ECHA Candidate List: JUNE 2024 (241) Candidate List Declared Against: JAN 2024 (240) Does not contain REACH SVHC
Halogen Content	Low Bromine/Chlorine - Br and Cl < 900

ppm per homogenous material. Also BFR /CFR/PVC Free

Solder Process Capability

Not applicable for solder process capability

Product Compliance Disclaimer

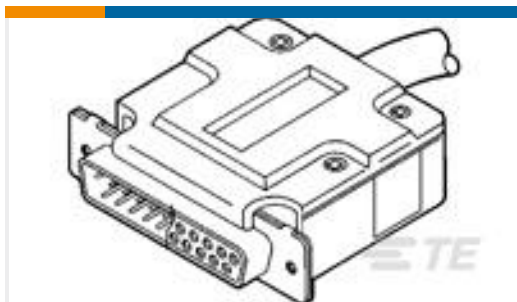
This information is provided based on reasonable inquiry of our suppliers and represents our current actual knowledge based on the information they provided. This information is subject to change. The part numbers that TE has identified as EU RoHS compliant have a maximum concentration of 0.1% by weight in homogenous materials for lead, hexavalent chromium, mercury, PBB, PBDE, DBP, BBP, DEHP, DIBP, and 0.01% for cadmium, or qualify for an exemption to these limits as defined in the Annexes of Directive 2011/65/EU (RoHS2). Finished electrical and electronic equipment products will be CE marked as required by Directive 2011/65/EU. Components may not be CE marked. Additionally, the part numbers that TE has identified as EU ELV compliant have a maximum concentration of 0.1% by weight in homogenous materials for lead, hexavalent chromium, and mercury, and 0.01% for cadmium, or qualify for an exemption to these limits as defined in the Annexes of Directive 2000/53/EC (ELV). Regarding the REACH Regulation, the information TE provides on SVHC in articles for this part number is based on the latest European Chemicals Agency (ECHA) 'Guidance on requirements for substances in articles' posted at this URL: <https://echa.europa.eu/guidance-documents/guidance-on-reach>

Compatible Parts



TE Part # EG8162-000
HL1920E-230V-EURO

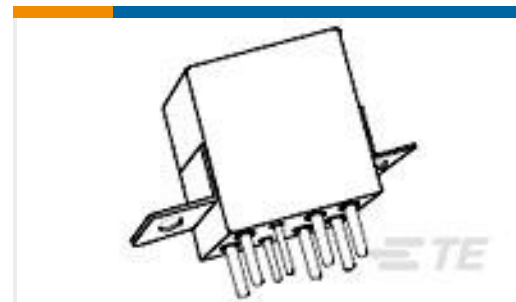
Customers Also Bought



TE Part #207473-1
CABLE CLAMP KIT,SZ 4



TE Part #2198617-9
Ni Plated Plastic Backshell, 9 Way, Str



TE Part #1617749
FCA-210-0924M=M83536/9-024M



TE Part #D08259-000
S200-2-01



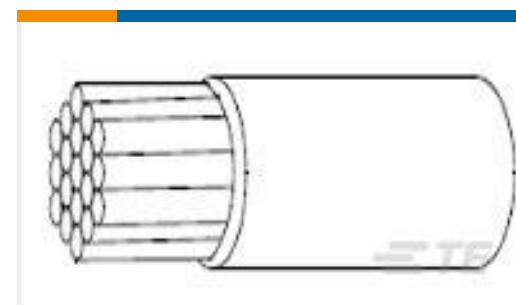
TE Part #CU3031-000
D-200-89



TE Part #D369-R99-NP1
369 9 WAY REC, CRIMP, PIN



TE Part #537543-000
CWT-3-W122-5



TE Part #247837-000
22759/44-20-6



TE Part #ZPF000000000121739
[182-0862-22](#)



TE Part #569741-000
[000W280-TAPE](#)

Documents

Product Drawings

[S200-3-W2-22-9](#)

English

Datasheets & Catalog Pages

[Raychem S200 Shield Terminators](#)

English

Product Specifications

[S200 SolderSleeve Shield Terminators](#)

English